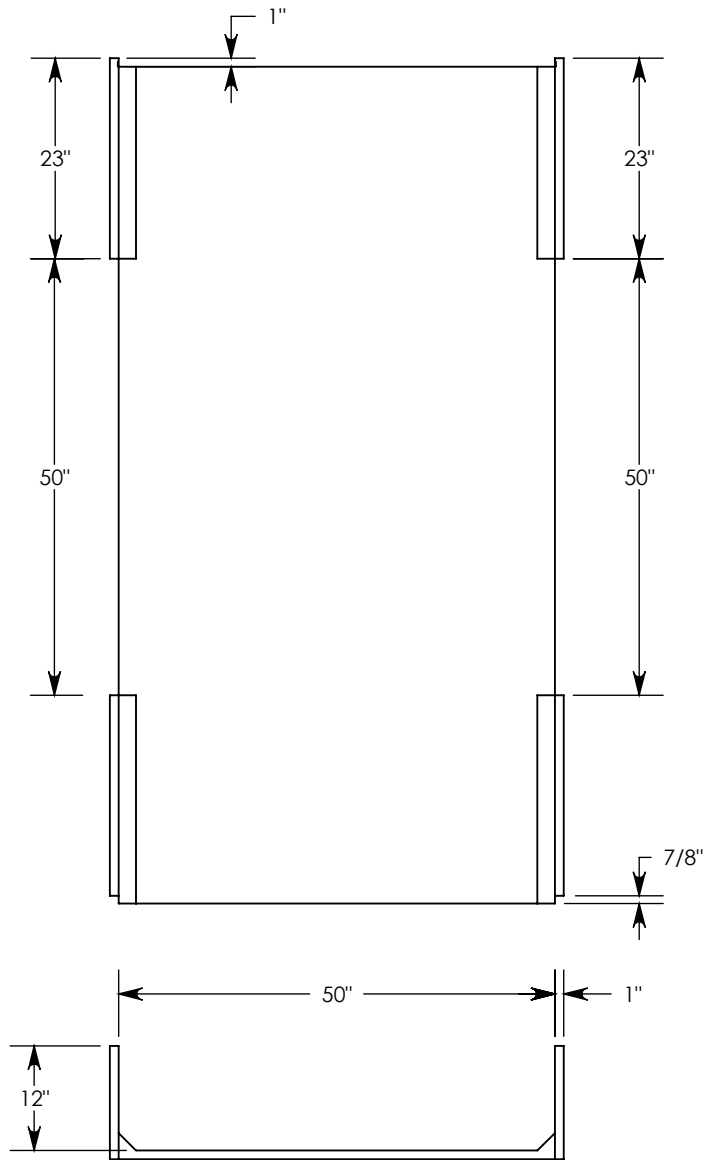
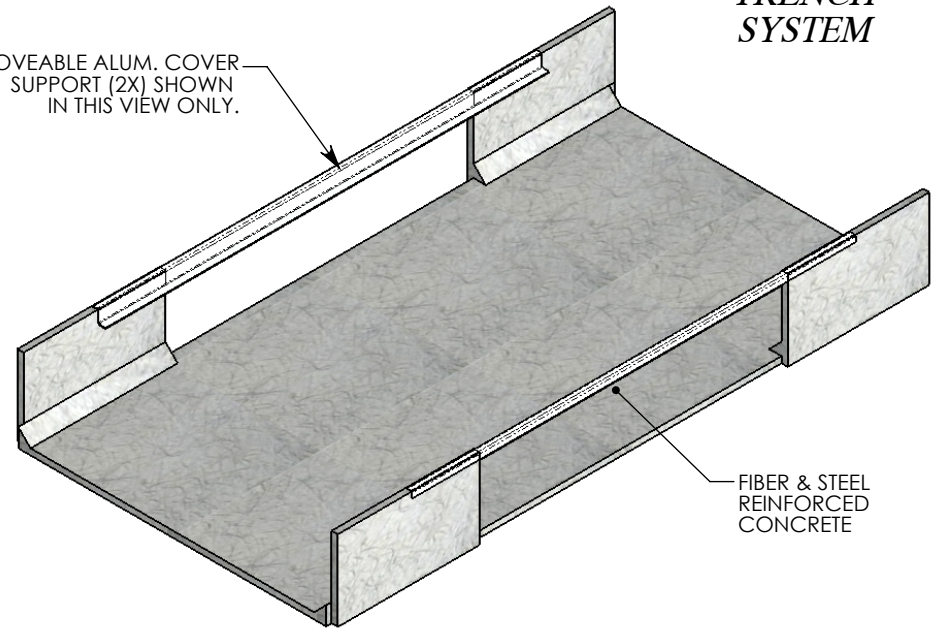


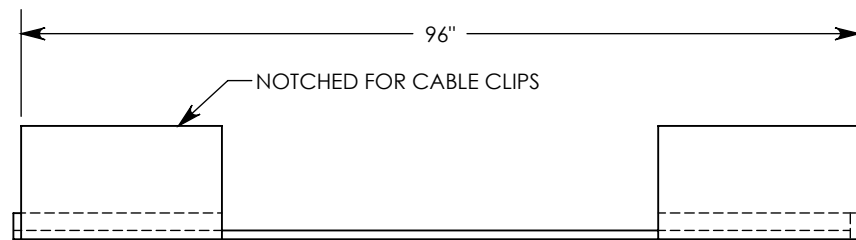
**FIBERCRETE<sup>®</sup>**  
**TRENCH**  
**SYSTEM**



REMOVEABLE ALUM. COVER  
 SUPPORT (2X) SHOWN  
 IN THIS VIEW ONLY.



FIBER & STEEL  
 REINFORCED  
 CONCRETE



PEDESTRIAN RATED - 200 LB. PER SQ. FOOT

**DRAWN BY: ROBIN LEWIS**

**DATE: 6/15/2011**

**REVISION LEVEL: 0**

**WEIGHT:**

**448 LBS.**

**MATERIAL:**

**FIBERCRETE**



1010 NORTH STAR DRIVE  
 P.O. BOX 69  
 ZUMBROTA, MN 55992-0069

**DESCRIPTION:**

**PEDESTRIAN UNIVERSAL CHANNEL**

DIMENSIONS ARE IN INCHES  
 TOLERANCES:  
 FRACTIONAL:  $\pm 1/8"$   
 ANGULAR:  $\pm 2^\circ$

CONTACT INFORMATION:  
 EMAIL: [INFO@CONCASTINC.COM](mailto:INFO@CONCASTINC.COM)  
 PHONE: (507) 732-4095  
 FAX: (507) 732-4094

SHEET 1 OF 1

**PART NUMBER:**

**8852 (50X50)**