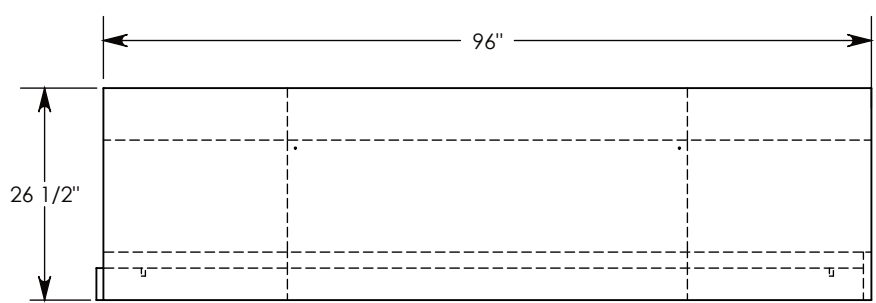
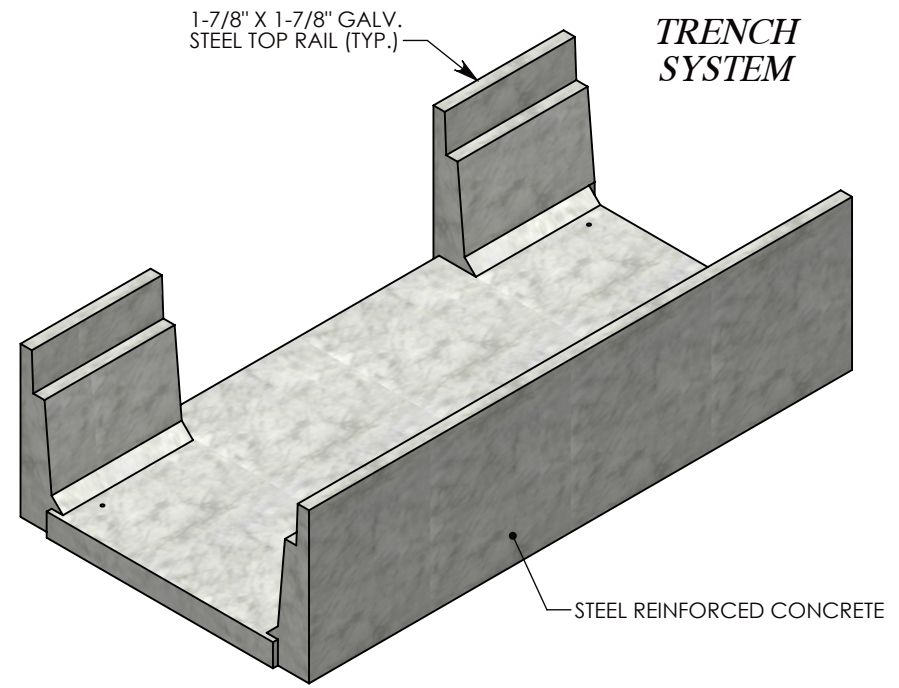
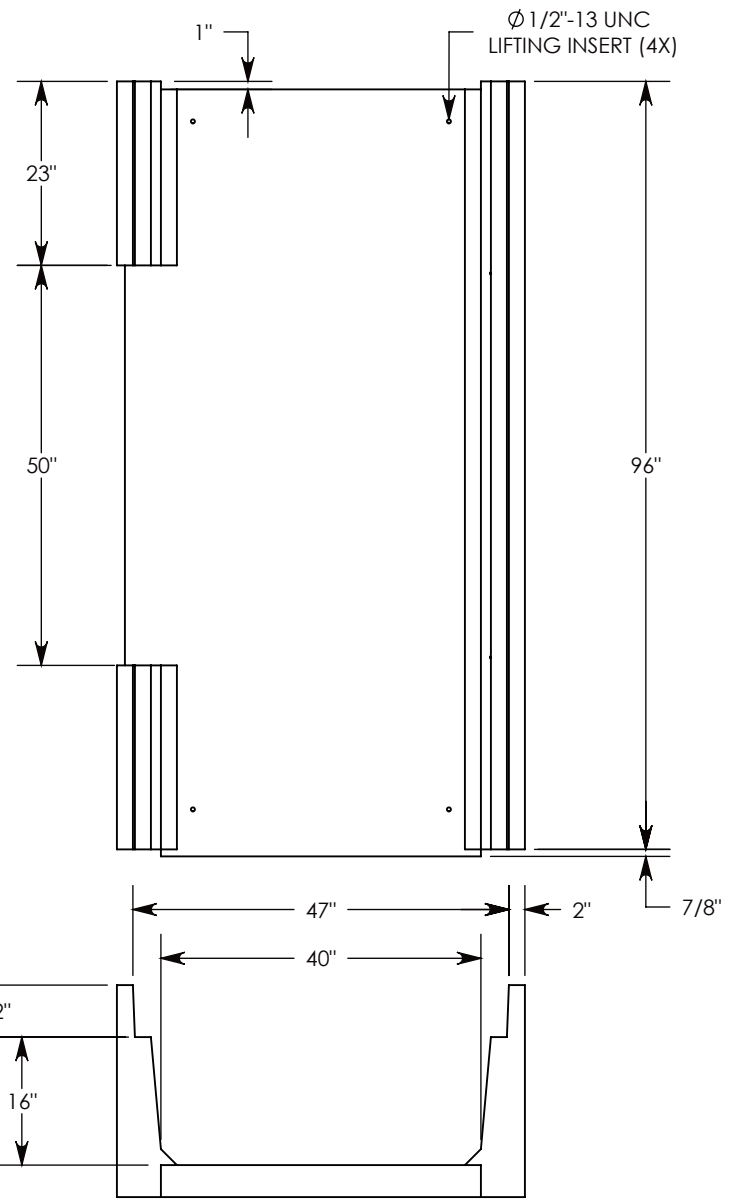


**FIBERCRETE<sup>®</sup>**

**TRENCH SYSTEM**



H-20 RATED - 32,000 LB. PER AXLE LOAD

<b>DRAWN BY: TOM JANSEN</b>	
<b>DATE: 11/9/2017</b>	<b>REVISION LEVEL: 0</b>
<b>WEIGHT: 2691 LBS.</b>	<b>MATERIAL: CONCRETE</b>


**CONCAST**  
 1010 NORTH STAR DRIVE  
 P.O. BOX 69  
 ZUMBROTA, MN 55992-0069

<b>DESCRIPTION:</b>		
<b>HEAVY TRAFFIC UNIVERSAL CHANNEL</b>		
DIMENSIONS ARE IN INCHES	CONTACT INFORMATION:	SHEET 1 OF 1
TOLERANCES:	EMAIL: INFO@CONCASTINC.COM	
FRACTIONAL: $\pm 1/8"$	PHONE: (507) 732-4095	
ANGULAR: $\pm 2^\circ$	FAX: (507) 732-4094	
<b>PART NUMBER:</b>		
<b>885216HT (0X50)</b>		