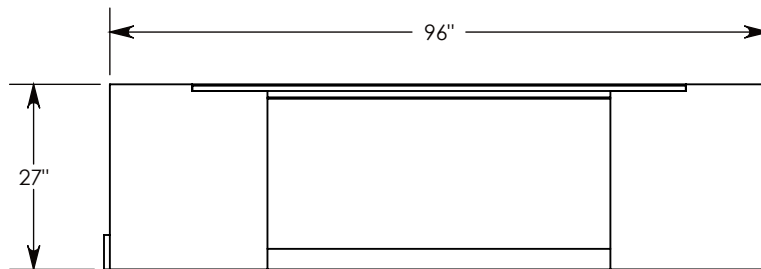
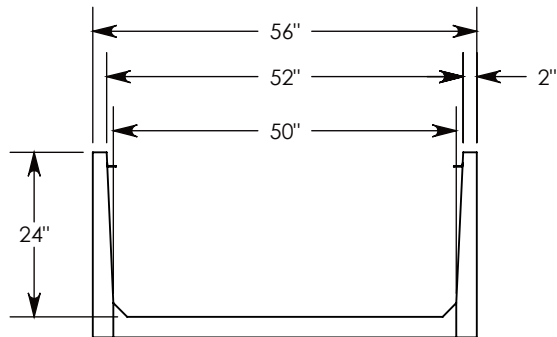
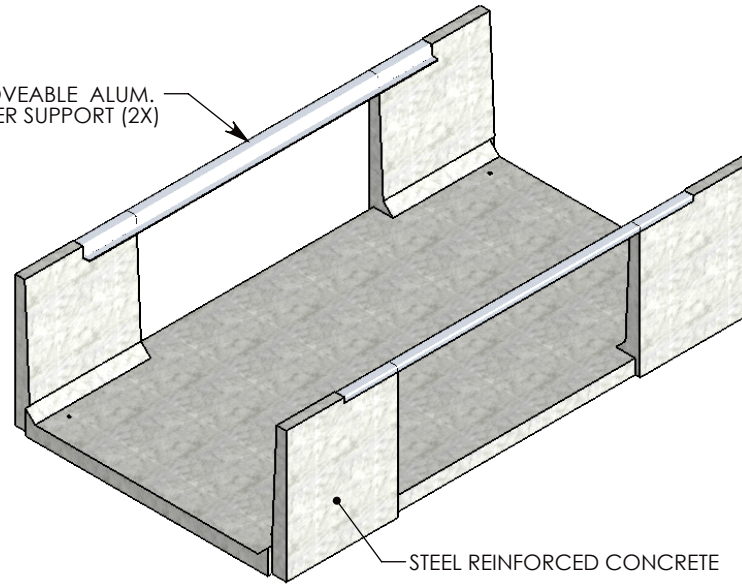


REMOVEABLE ALUM.
COVER SUPPORT (2X)



PEDESTRIAN RATED - 200 LB. PER SQ. FOOT

DRAWN BY: ROBIN FLINT

CREATED DATE: 3/11/2002 **REVISION LEVEL:** A

SAVED DATE: 9/12/2019 **SAVED BY:** scallahan

WEIGHT: 1777 LBS. **MATERIAL:** CONCRETE



DESCRIPTION:
PEDESTRIAN UNIVERSAL CHANNEL

DIMENSIONS ARE IN INCHES
TOLERANCES:
FRACTIONAL: $\pm 1/8$ "
ANGULAR: $\pm 2^\circ$

CONTACT INFORMATION:
EMAIL: INFO@CONCASTINC.COM
PHONE: (507) 732-4095
FAX: (507) 732-4094

SHEET 1 OF 1

PART NUMBER:
885224PT (50X50)