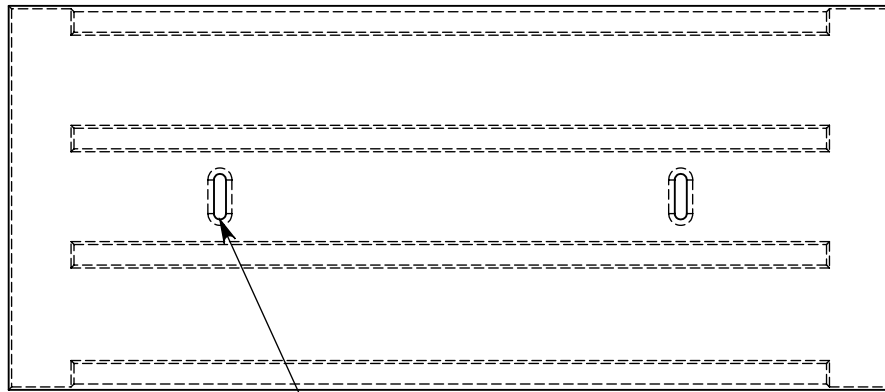
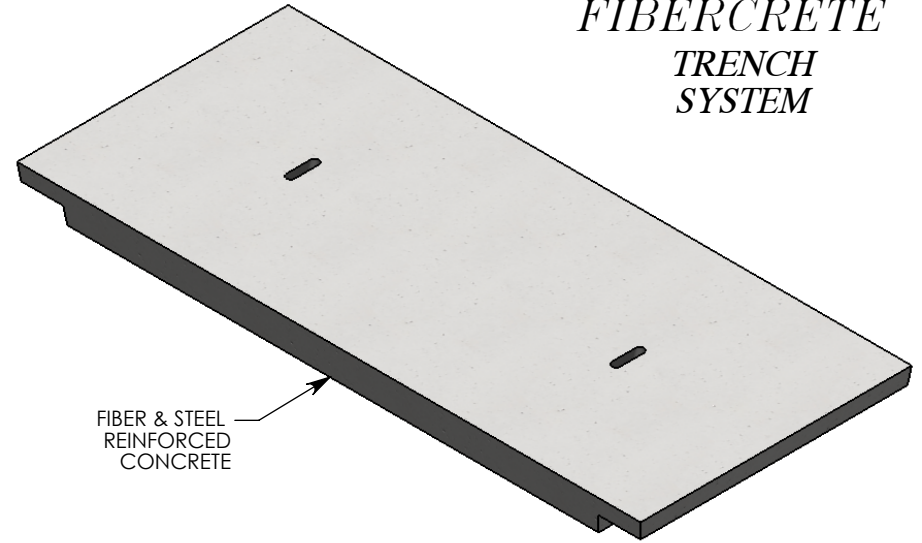


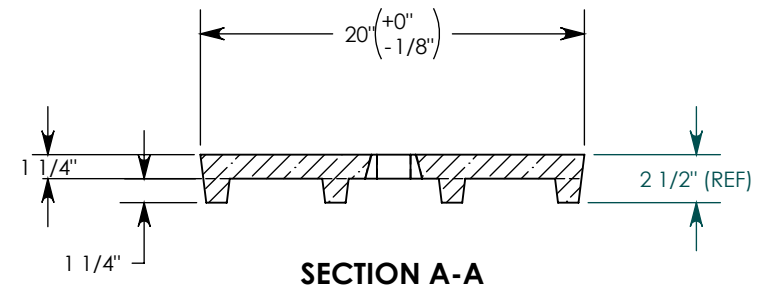
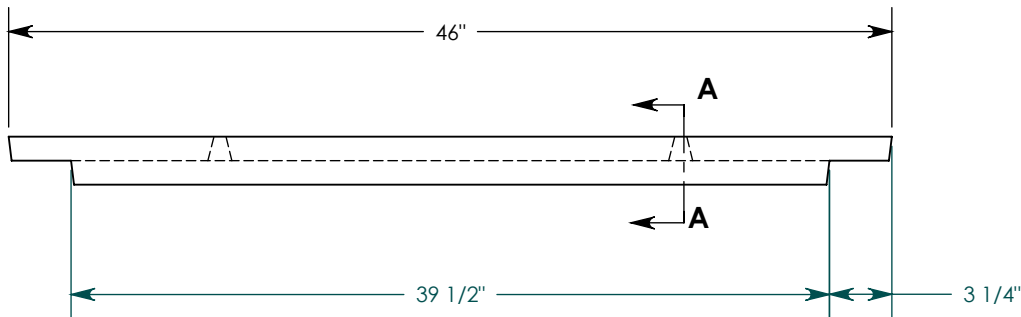
FIBERCRETE[®]
TRENCH
SYSTEM



LIFTING SLOTS (2 PLCS)



FIBER & STEEL
 REINFORCED
 CONCRETE



SECTION A-A

PEDESTRIAN RATED - 200 LB. PER SQ. FOOT

DRAWN BY: ROBIN LEWIS

DATE: 8/16/2010

REVISION LEVEL: 0

WEIGHT:

114 LBS.

MATERIAL:

CAST FIBERCRETE



1010 NORTH STAR DRIVE
 P.O. BOX 69
 ZUMBROTA, MN 55992-0069

DESCRIPTION:

PEDESTRIAN TRENCH COVER

DIMENSIONS ARE IN INCHES
 TOLERANCES:
 FRACTIONAL: ± 1/8"
 ANGULAR: ± 2°

CONTACT INFORMATION:
 EMAIL: INFO@CONCASTINC.COM
 PHONE: (507) 732-4095
 FAX: (507) 732-4094

SHEET 1 OF 1

PART NUMBER:

F4620 (39.5)