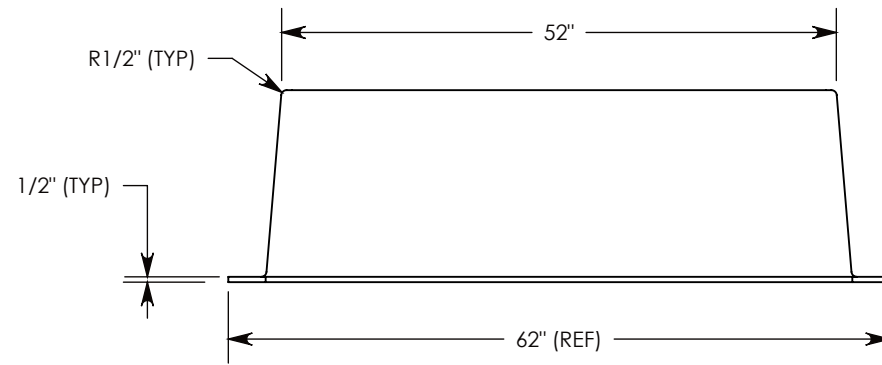
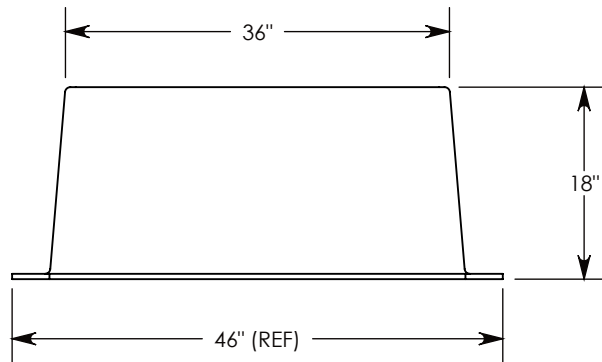
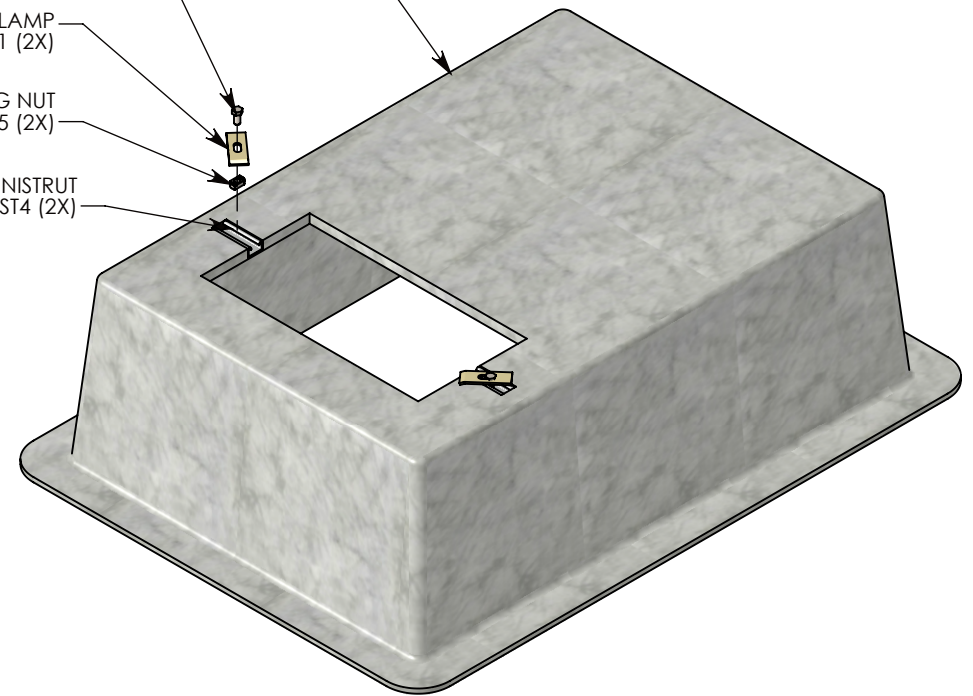


- FIBER REINFORCED CONCRETE
- 1/2-13 UNC X 1" LG HEX HD BOLT
P/N: HHB.5-1 (2X)
- 4" HOLD-DOWN CLAMP
P/N: HDC-1 (2X)
- 1/2-13 UNC SPRING NUT
P/N: USN-.5 (2X)
- 4" LONG X 7/8" DEEP UNISTRUT
P/N: UNST4 (2X)



DRAWN BY: ROBIN FLINT

DATE: 9/29/2016

REVISION LEVEL: 0

WEIGHT:

316 LBS.

MATERIAL:

FIBERCRETE



DESCRIPTION:

FIBERCRETE BOX PAD

DIMENSIONS ARE IN INCHES
 TOLERANCES:
 FRACTIONAL: ± 1/8"
 ANGULAR: ± 2°

CONTACT INFORMATION:
 EMAIL: INFO@CONCASTINC.COM
 PHONE: (507) 732-4095
 FAX: (507) 732-4094

SHEET 1 OF 1

PART NUMBER:

FC-36-52-18-2412 (6)