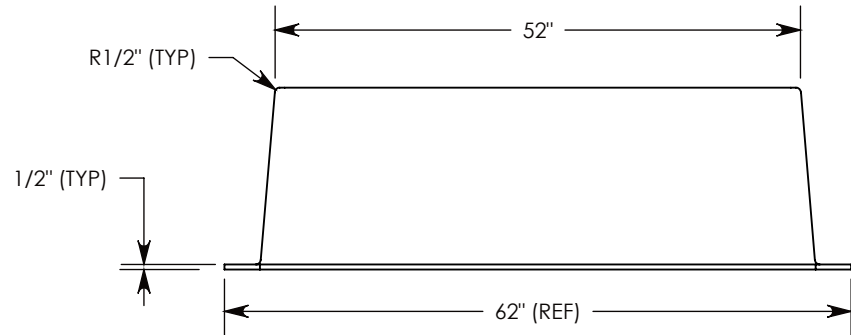
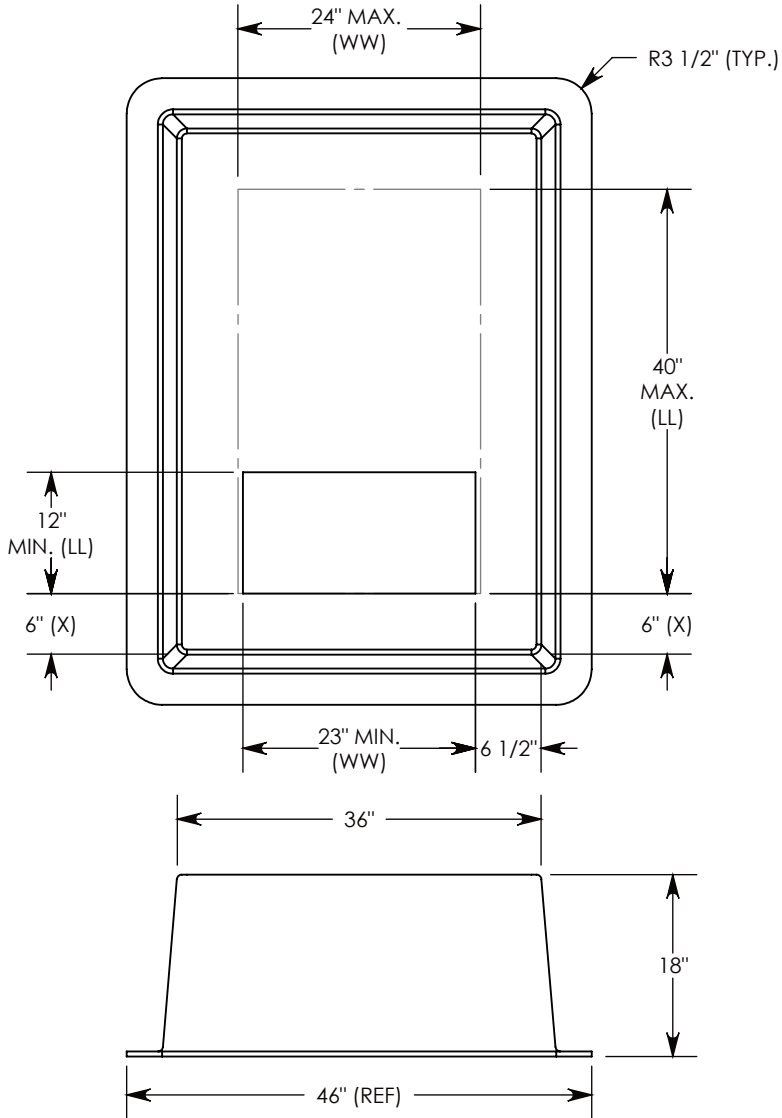
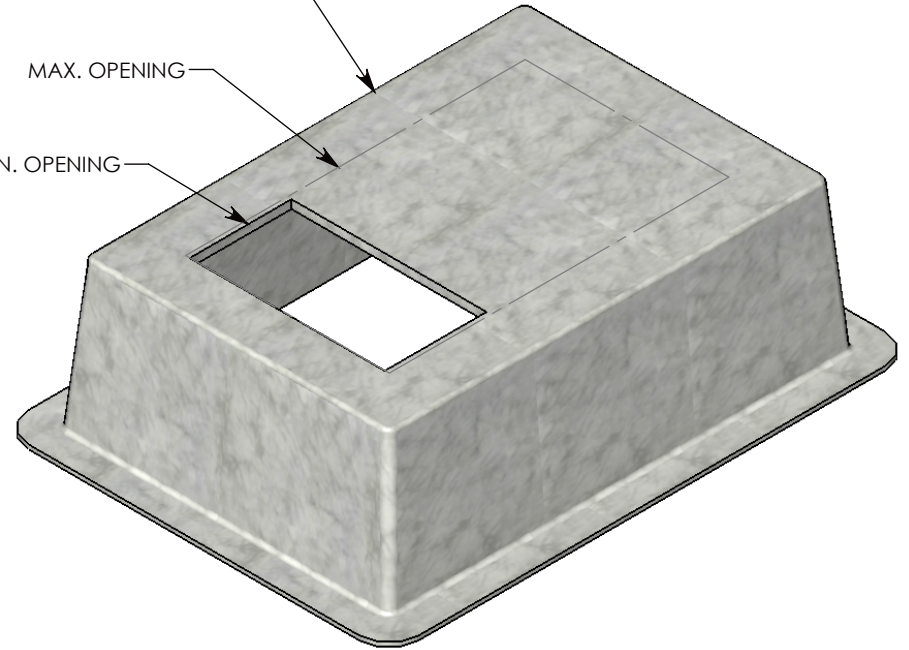


FIBERCRETE®

FIBER REINFORCED CONCRETE

MAX. OPENING

MIN. OPENING



Ø 1/2"-13 UNC LIFTING INSERTS WILL BE CAST INTO BOX PAD  
IF SPECIFIC INSERTS OR MOUNTING HARDWARE ARE REQUIRED, PLEASE SPECIFY WHEN ORDERING.  
PART NUMBER IS BASED ON OPENING SIZE. IE: THE SMALLEST OPENING PAD IS P/N: FC-36-52-18-2312(6)  
THE LARGEST OPENING PAD IS P/N: FC-36-52-18-2440

**DRAWN BY: ROBIN FLINT**

**DATE: 7/2/2013**

**REVISION LEVEL: 0**

**WEIGHT:**

- LBS.

**MATERIAL:**

**FIBERCRETE FC**



**DESCRIPTION:**

**FIBERCRETE BOX PAD**

DIMENSIONS ARE IN INCHES  
TOLERANCES:  
FRACTIONAL: ± 1/8"  
ANGULAR: ± 2°

CONTACT INFORMATION:  
EMAIL: INFO@CONCASTINC.COM  
PHONE: (507) 732-4095  
FAX: (507) 732-4094

SHEET 1 OF 1

**PART NUMBER:**

**FC-36-52-18-WWLL (X)**