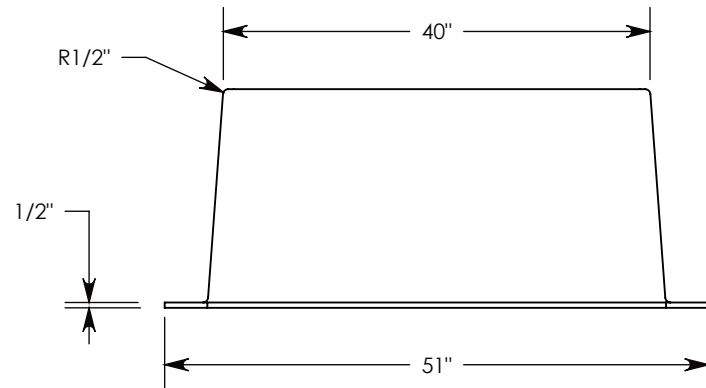
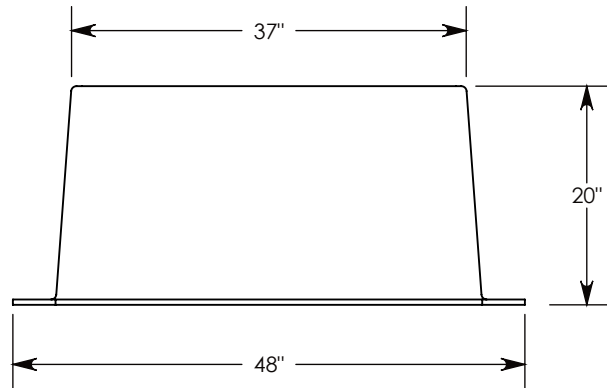
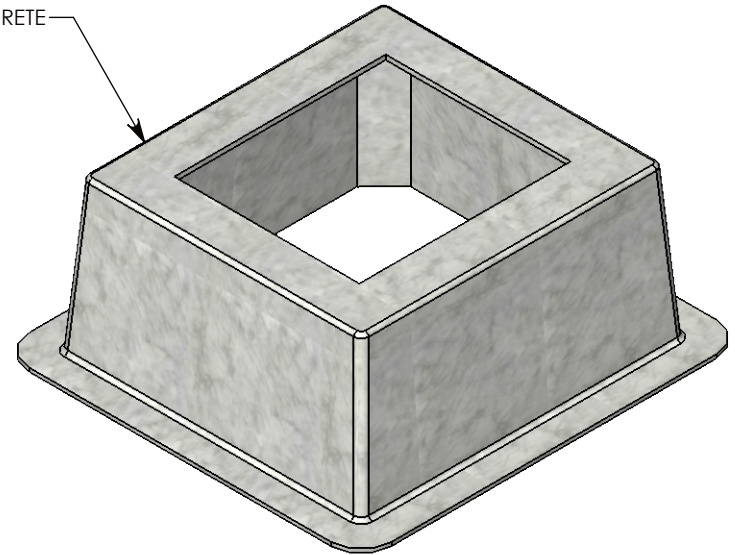


FIBER REINFORCED CONCRETE



DRAWN BY: **ROBIN FLINT**

CREATED DATE: **3/17/2009**

REVISION LEVEL: **A**

SAVED DATE: **2/7/2020**

SAVED BY: **jgutting**

WEIGHT:

233 LBS.

MATERIAL:

FIBERCRETE FC



1010 NORTH STAR DRIVE
P.O. BOX 69
ZUMBROTA, MN 55992-0069

DESCRIPTION:

FIBERCRETE BOX PAD

DIMENSIONS ARE IN INCHES

TOLERANCES:
FRACTIONAL: $\pm 1/8"$
ANGULAR: $\pm 2^\circ$

CONTACT INFORMATION:

EMAIL: INFO@CONCASTINC.COM
PHONE: (507) 732-4095
FAX: (507) 732-4094

SHEET 1 OF 1

PART NUMBER:

FC-37-40-20-2528