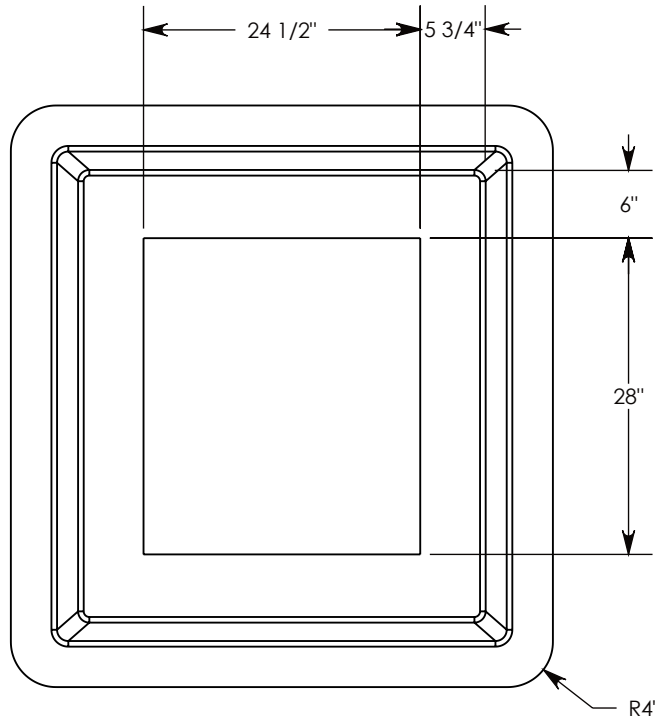
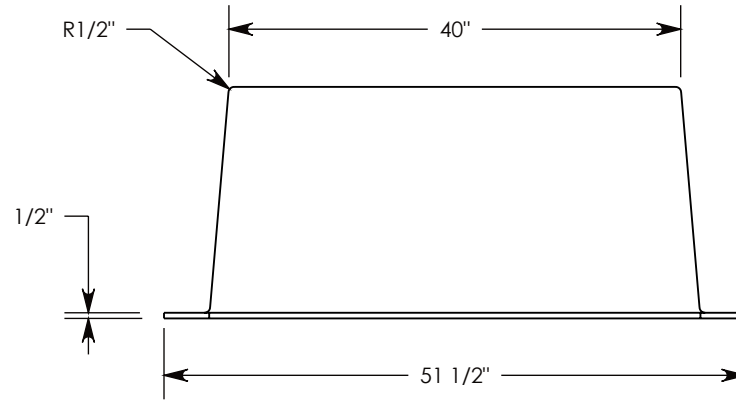
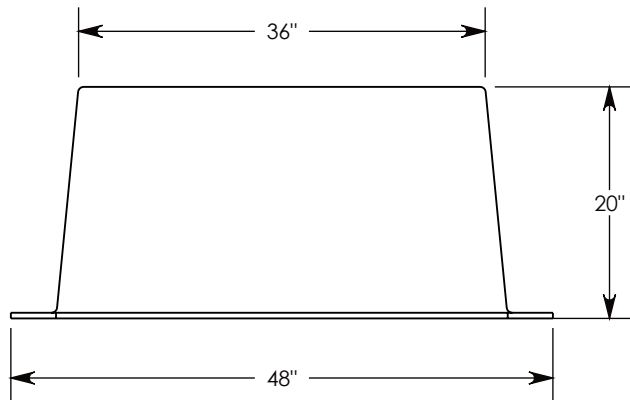
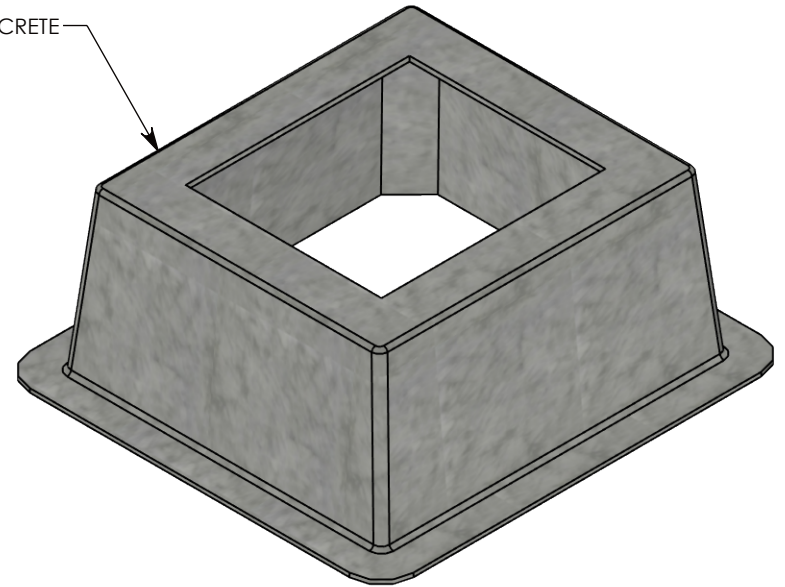


REV. A - JCG - 2/7/2020 - CHANGED OPENING FROM 25" TO 24.5"
 REV. B - JCG - 10/20/2022 - UPDATED WIDTH

FIBERCRETE®



FIBER REINFORCED CONCRETE



DRAWN BY: ROBIN FLINT	
CREATED DATE: 3/17/2009	REVISION LEVEL: B
SAVED DATE: 10/20/2022	SAVED BY: jgutting
WEIGHT: 231 LBS.	MATERIAL: FIBERCRETE FC



CONCAST
 1010 NORTH STAR DRIVE
 P.O. BOX 69
 ZUMBROTA, MN 55992-0069

DESCRIPTION: FIBERCRETE BOX PAD		SHEET 1 OF 1
DIMENSIONS ARE IN INCHES TOLERANCES: FRACTIONAL: ± 1/8" ANGULAR: ± 2°	CONTACT INFORMATION: EMAIL: INFO@CONCASTINC.COM PHONE: (507) 732-4095 FAX: (507) 732-4094	
PART NUMBER: FC-37-40-20-2528		