

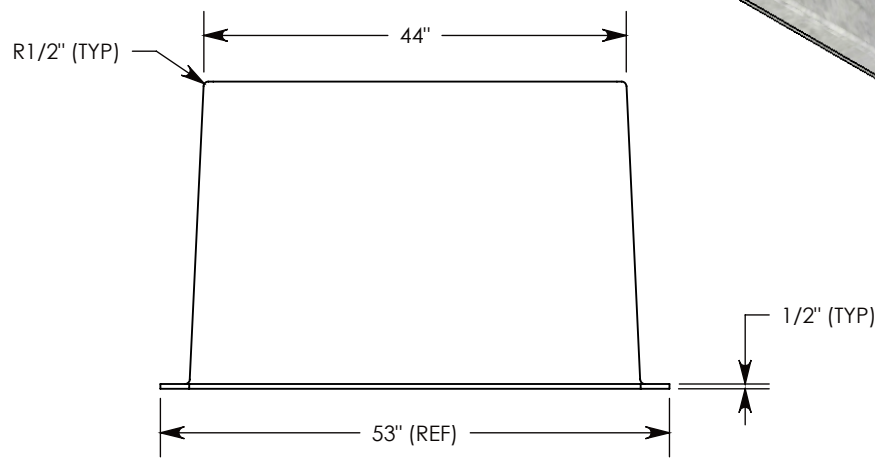
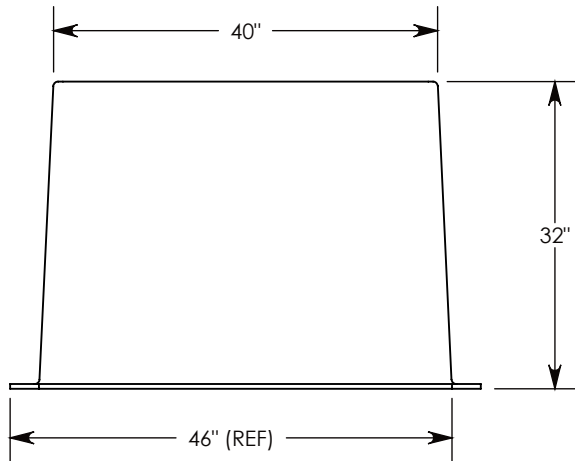
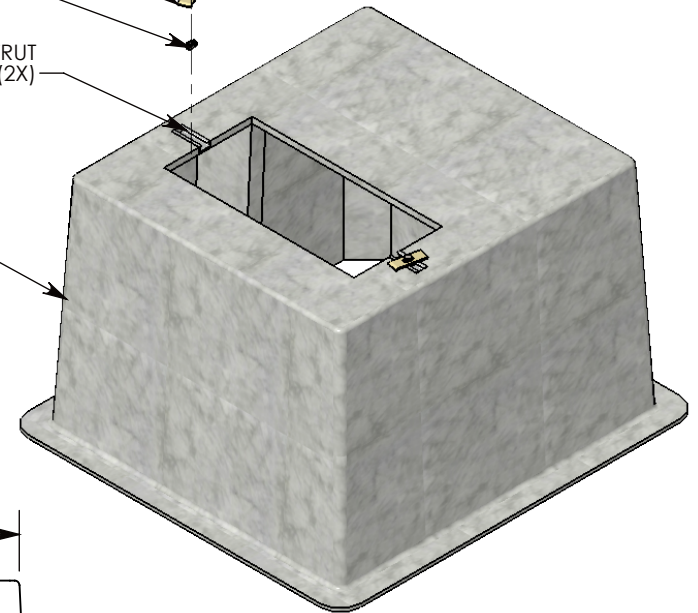
1/2-13 UNC X 1" LG HEX HD BOLT  
P/N: HHB.5-1 (2X)

4" HOLD-DOWN CLAMP  
P/N: HDC-1 (2X)

1/2-13 UNC SPRING NUT  
P/N: USN-5 (2X)

4" LONG X 7/8" DEEP UNISTRUT  
P/N: UNST4 (2X)

FIBER REINFORCED CONCRETE



**DRAWN BY: ROBIN FLINT**

**DATE: 9/16/2016**

**REVISION LEVEL: 0**

**WEIGHT:**

**496 LBS.**

**MATERIAL:**

**NOTED**



**DESCRIPTION:**

**FIBERCRETE BOX PAD**

DIMENSIONS ARE IN INCHES

TOLERANCES:  
FRACTIONAL: ± 1/8"  
ANGULAR: ± 2°

CONTACT INFORMATION:  
EMAIL: INFO@CONCASTINC.COM  
PHONE: (507) 732-4095  
FAX: (507) 732-4094

SHEET 1 OF 1

**PART NUMBER:**

**FC-40-44-32-2813 (8)**