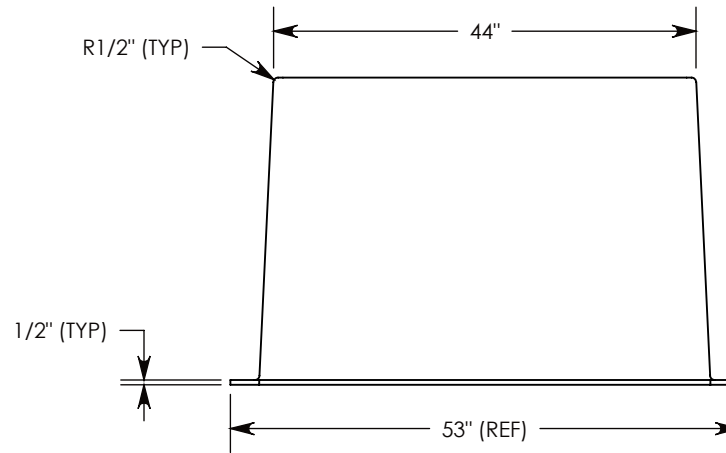
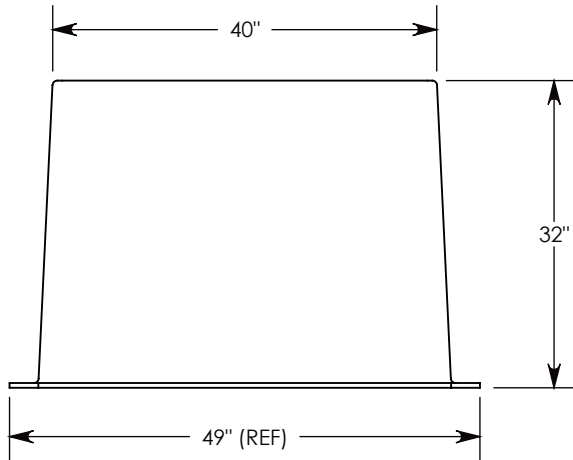
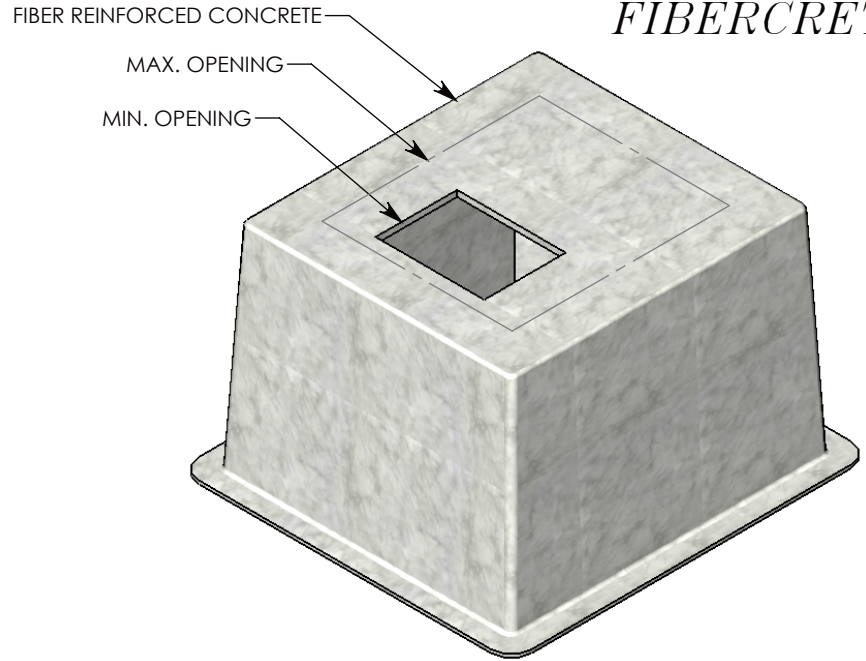
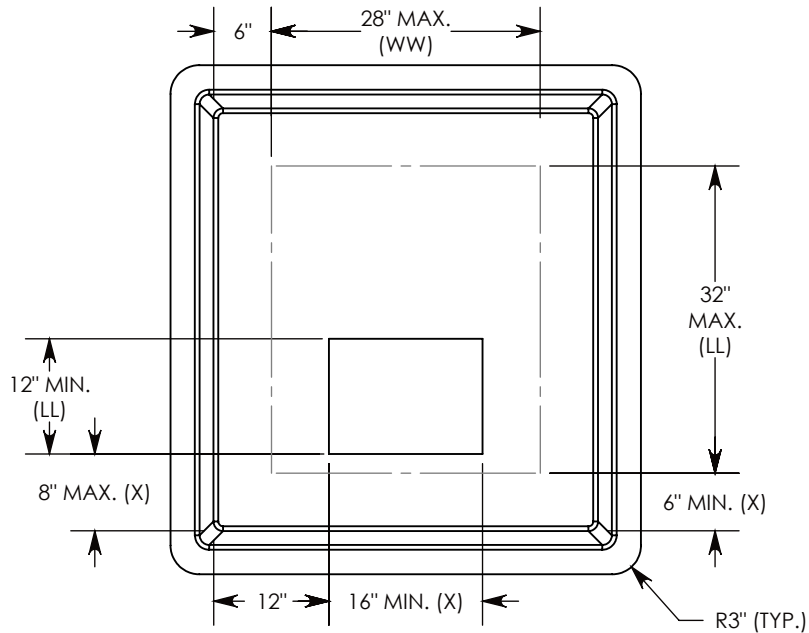


**FIBERCRETE**®



Ø 1/2"-13 UNC LIFTING INSERTS WILL BE CAST INTO BOX PAD  
 IF SPECIFIC INSERTS OR MOUNTING HARDWARE ARE REQUIRED, PLEASE SPECIFY WHEN ORDERING.  
 PART NUMBER IS BASED ON OPENING SIZE. IE: THE SMALLEST OPENING PAD IS P/N: FC-40-44-32-1612 (8)  
 THE LARGEST OPENING PAD IS P/N: FC-40-44-32-2832

**DRAWN BY: ROBIN FLINT**

**DATE: 1/10/2014**

**REVISION LEVEL: 0**

**WEIGHT:**

- LBS.

**MATERIAL:**

**FIBERCRETE FC**



**DESCRIPTION:**

**FIBERCRETE BOX PAD**

DIMENSIONS ARE IN INCHES  
 TOLERANCES:  
 FRACTIONAL: ± 1/8"  
 ANGULAR: ± 2°

CONTACT INFORMATION:  
 EMAIL: INFO@CONCASTINC.COM  
 PHONE: (507) 732-4095  
 FAX: (507) 732-4094

SHEET 1 OF 1

**PART NUMBER:**

**FC-40-44-32-WWLL (X)**