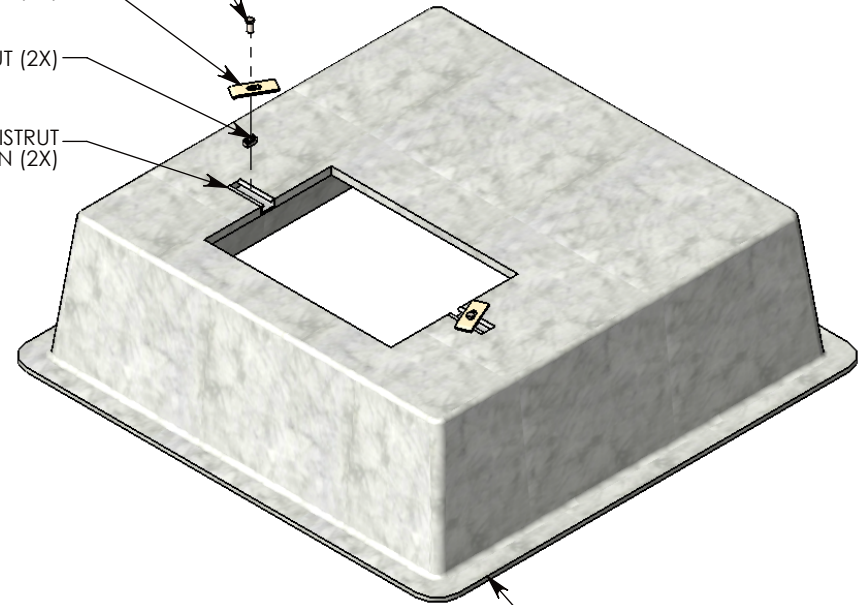


1/2-13 UNC X 1" LG HEX HD BOLT (2X)

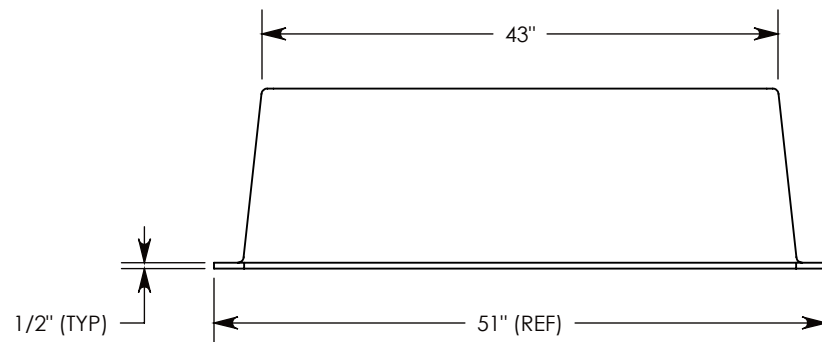
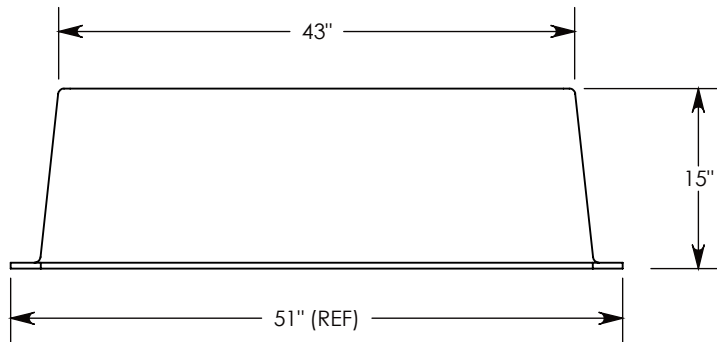
HDC-1 HOLD DOWN CLAMP (2X)

SPRING NUT (2X)

4" LONG UNISTRUT CAST-IN (2X)



FIBER REINFORCED CONCRETE



DRAWN BY: COLIN HORTOP

DATE: 3/22/2013

REVISION LEVEL: 0

WEIGHT:

248 LBS.

MATERIAL:

FIBERCRETE FC



1010 NORTH STAR DRIVE
P.O. BOX 69
ZUMBROTA, MN 55992-0069

DESCRIPTION:

FIBERCRETE PAD BOX

DIMENSIONS ARE IN INCHES
TOLERANCES:
FRACTIONAL: ± 1/8"
ANGULAR: ± 2°

CONTACT INFORMATION:
EMAIL: INFO@CONCASTINC.COM
PHONE: (507) 732-4095
FAX: (507) 732-4094

SHEET 1 OF 1

PART NUMBER:

FC-43-43-15-2215 (5)