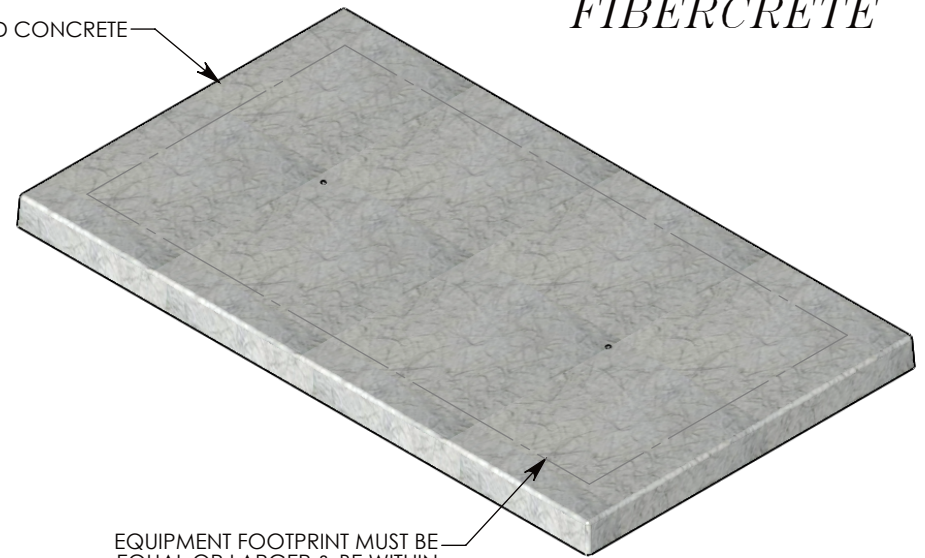
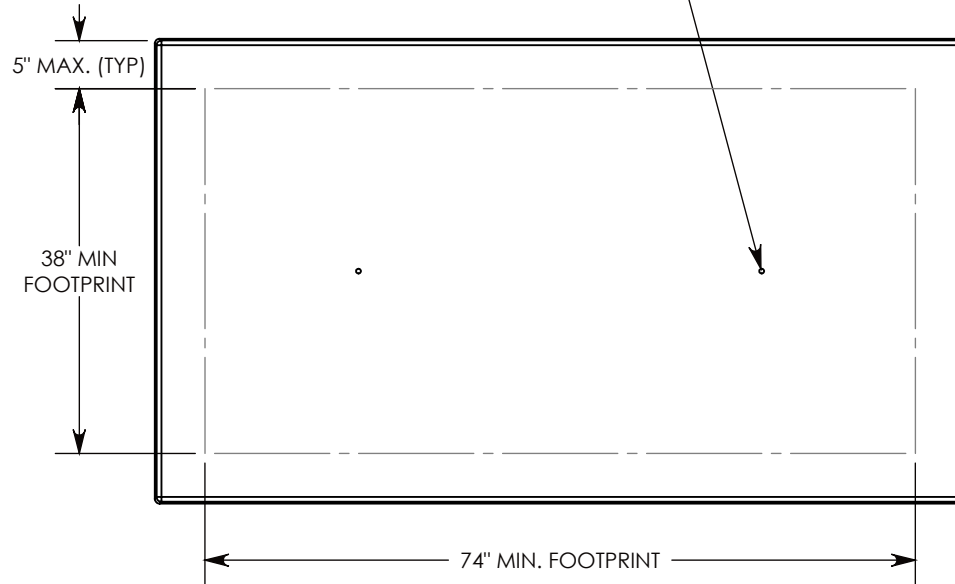


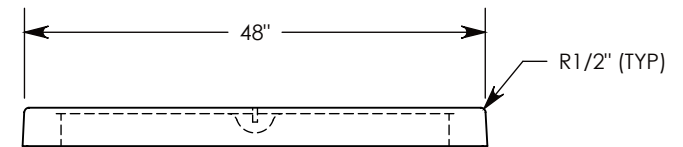
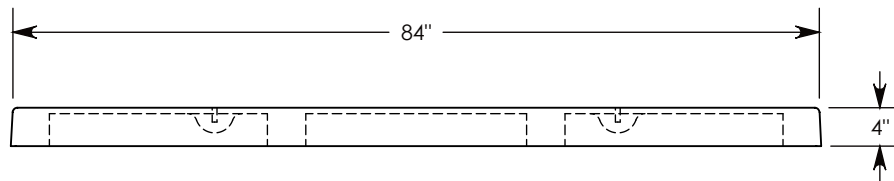
FIBERCRETE[®]

FIBER REINFORCED CONCRETE

Ø 1/2"-13 UNC INSERT
FOR LIFTING (2X)
LOCATIONS MAY VARY



EQUIPMENT FOOTPRINT MUST BE
EQUAL OR LARGER & BE WITHIN
5" OF THE OUTSIDE EDGE OF THE PAD



UNLESS OTHERWISE DIRECTED, THIS PAD IS SUPPLIED AS SHOWN WITH NO CABLE ROUTING OPENINGS.
IF OPENINGS ARE REQUIRED, MARK-UP THIS DRAWING WITH THEIR LOCATIONS & SIZES.
MOUNTING INSERTS ARE TO BE FIELD INSTALLED. CONCAST TOGGLE NUTS ARE IDEAL; SPECIFY QUANTITY AND SIZE (1/4", 3/8", OR 1/2") WHEN ORDERING.

DRAWN BY: ROBIN FLINT		 1010 NORTH STAR DRIVE P.O. BOX 69 ZUMBROTA, MN 55992-0069	DESCRIPTION:	
DATE: 5/1/2013	REVISION LEVEL: 0		FIBERCRETE FLAT PAD	
WEIGHT:	MATERIAL:		DIMENSIONS ARE IN INCHES TOLERANCES: FRACTIONAL: ± 1/8" ANGULAR: ± 2°	CONTACT INFORMATION: EMAIL: INFO@CONCASTINC.COM PHONE: (507) 732-4095 FAX: (507) 732-4094
336 LBS.	FIBERCRETE FC	PART NUMBER:		FC-48-84-4