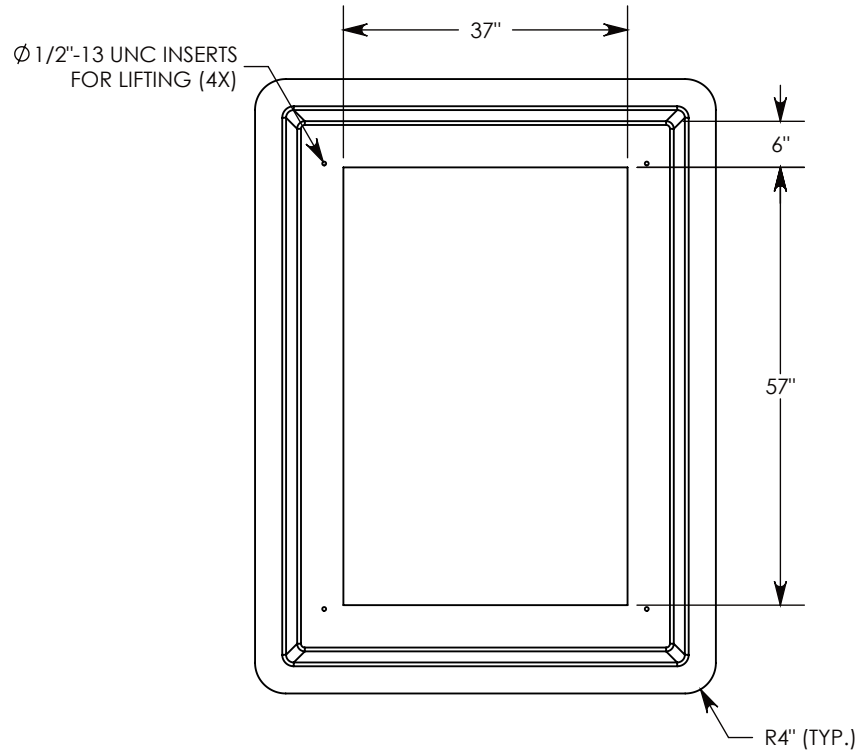
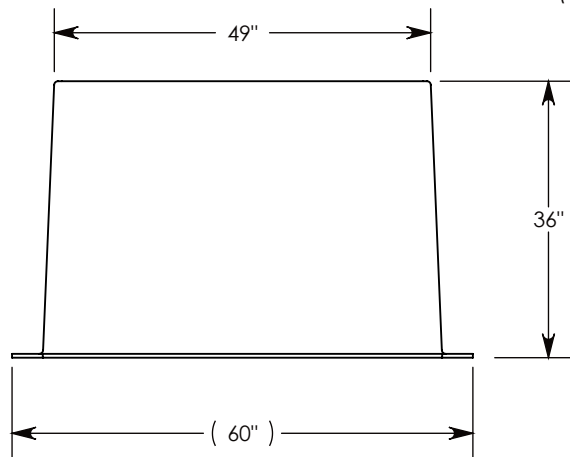
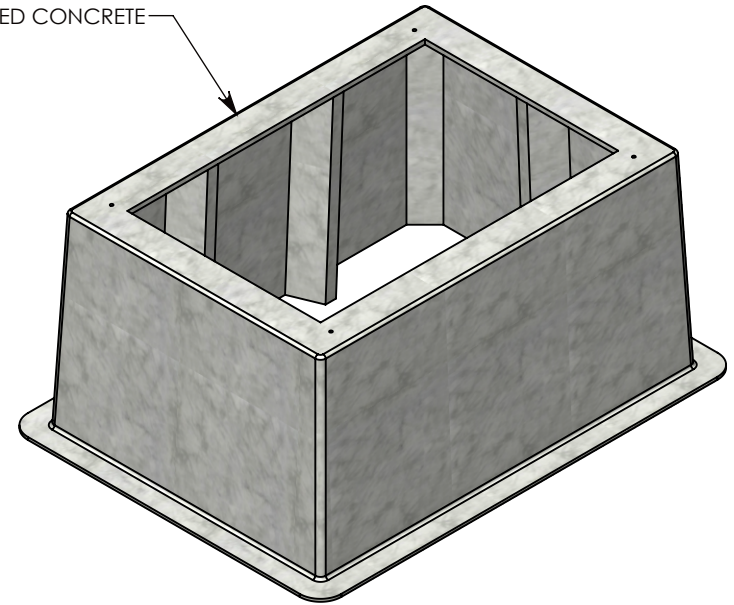


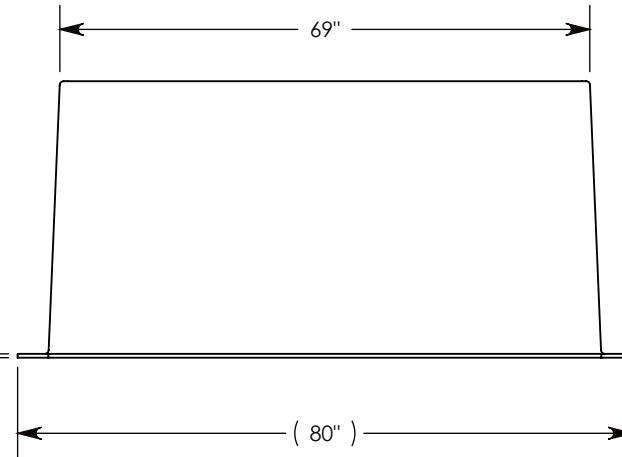
FIBERCRETE®



FIBER REINFORCED CONCRETE



1/2" (TYP)



DRAWN BY: ROBIN FLINT

DATE: 7/11/2018

REVISION LEVEL: 0

WEIGHT:

603 LBS.

MATERIAL:

FIBERCRETE FC



1010 NORTH STAR DRIVE
P.O. BOX 69
ZUMBROTA, MN 55992-0069

DESCRIPTION:

FIBERCRETE BOX PAD

DIMENSIONS ARE IN INCHES
TOLERANCES:
FRACTIONAL: ± 1/8"
ANGULAR: ± 2°

CONTACT INFORMATION:
EMAIL: INFO@CONCASTINC.COM
PHONE: (507) 732-4095
FAX: (507) 732-4094

SHEET 1 OF 1

PART NUMBER:

FC-49-69-36-3757