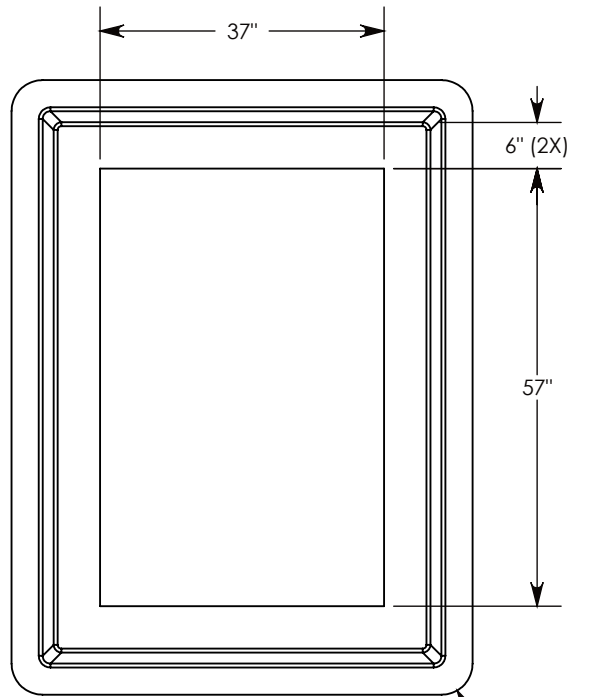
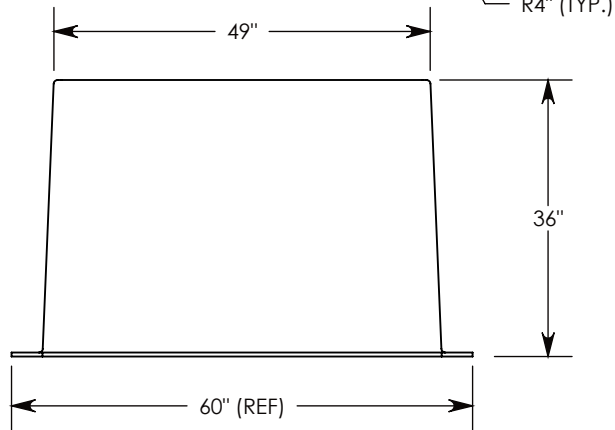
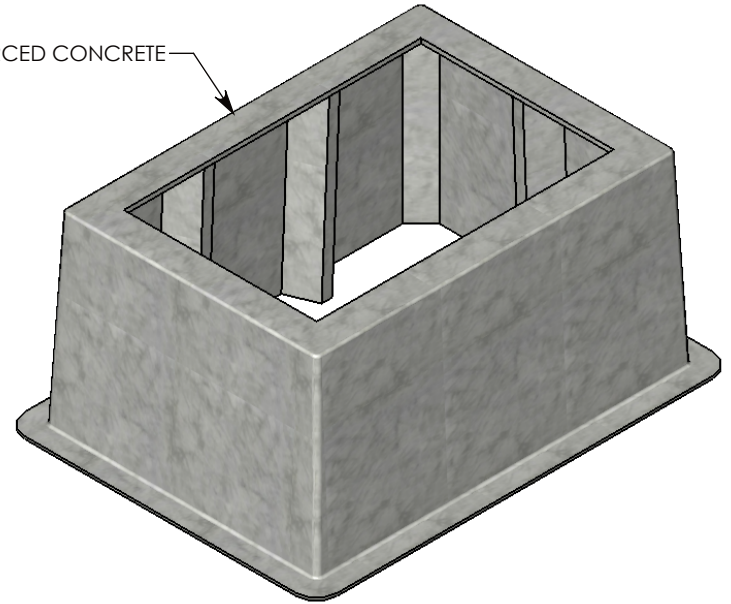


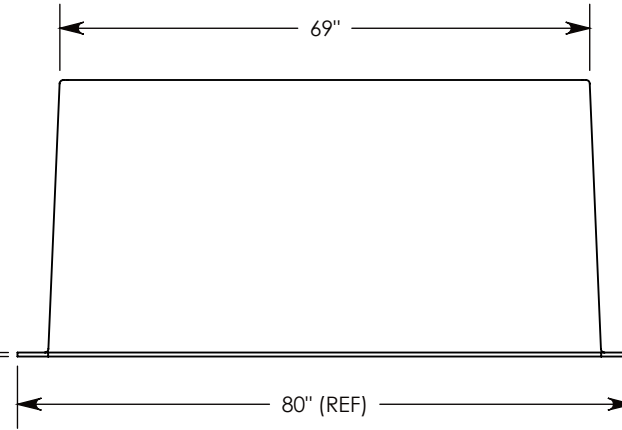
FIBERCRETE®



FIBER REINFORCED CONCRETE



1/2" (TYP)



EACH BOX PAD SUPPLIED WITH 4 C-CLAMPS AND 3/8-16 UNC X 2" LONG BOLTS SUPPORTS A SINGLE BAY 13.8 KV PMX SWITCHGEAR.

DRAWN BY: ROBIN FLINT

DATE: 4/16/2012

REVISION LEVEL: 0

WEIGHT:

632 LBS.

MATERIAL:

FIBERCRETE FC

CONCAST
 1010 NORTH STAR DRIVE
 P.O. BOX 69
 ZUMBROTA, MN 55992-0069

DESCRIPTION:

FIBERCRETE BOX PAD

DIMENSIONS ARE IN INCHES
 TOLERANCES:
 FRACTIONAL: ± 1/8"
 ANGULAR: ± 2°

CONTACT INFORMATION:
 EMAIL: INFO@CONCASTINC.COM
 PHONE: (507) 732-4095
 FAX: (507) 732-4094

SHEET 1 OF 1

PART NUMBER:

FC-49-69-36-PMX