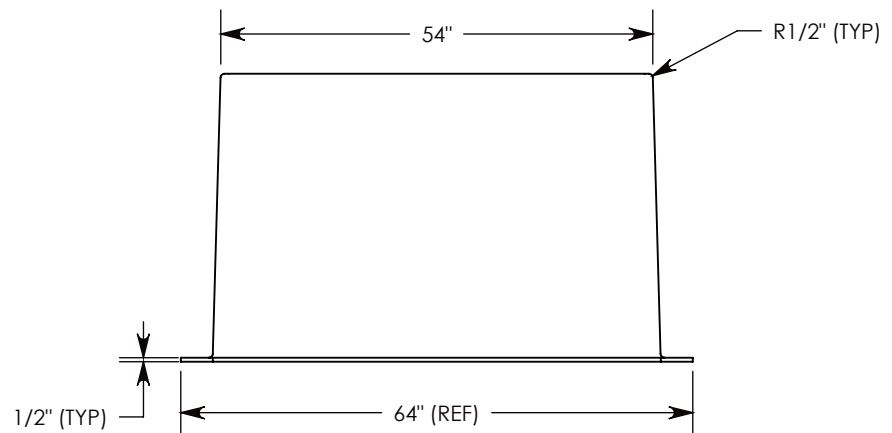
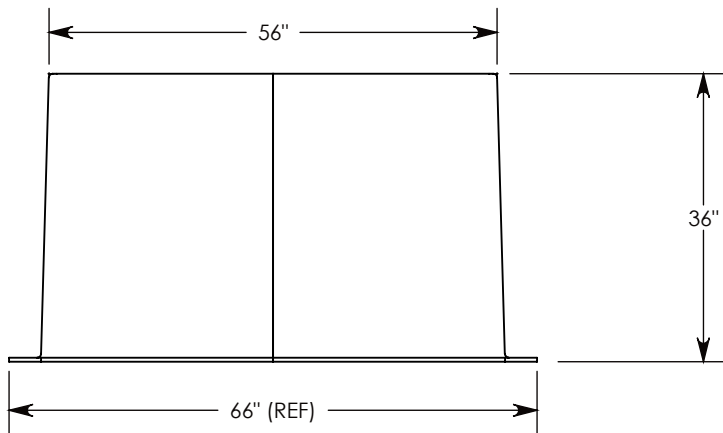
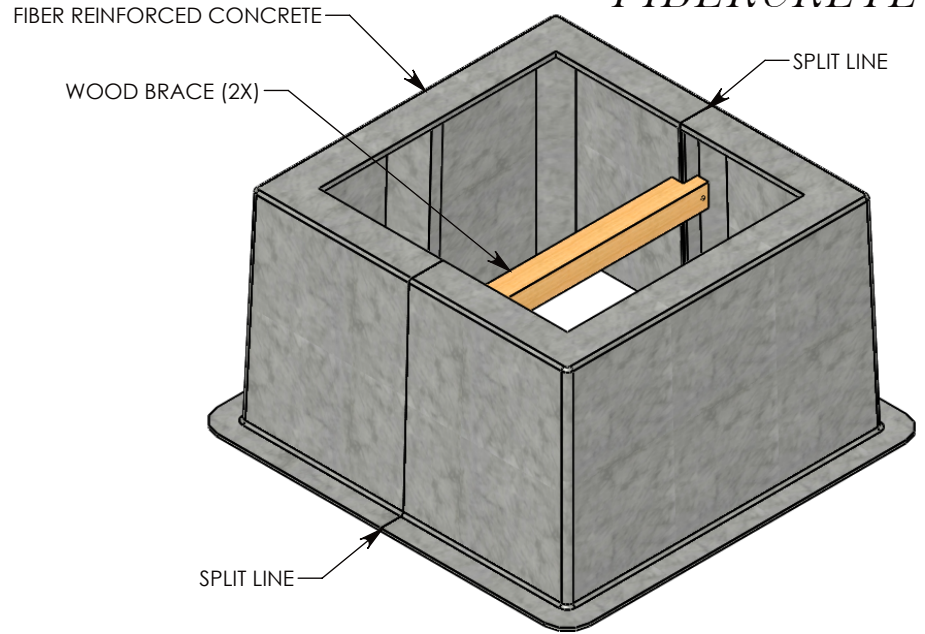
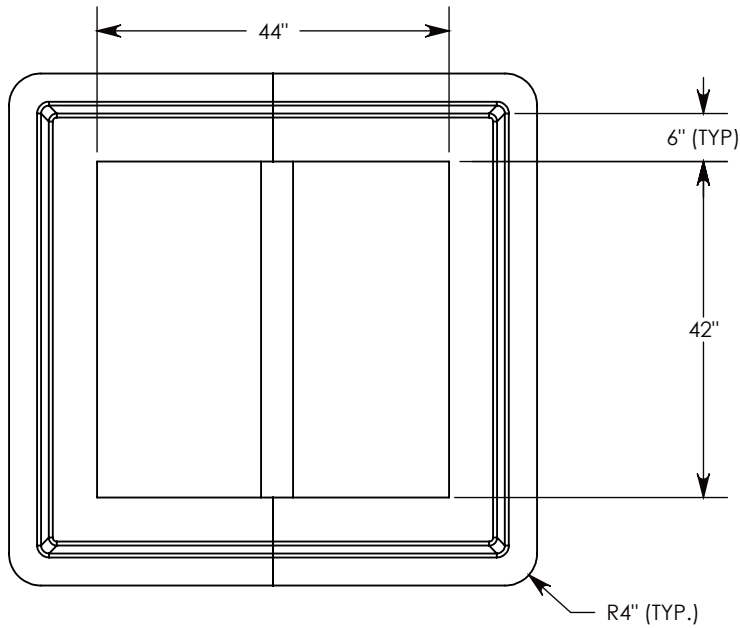


FIBERCRETE®



NOTES:
 SPLIT BOXES ARE MADE IN TWO HALVES; ADHERED, SEALED, BOLTED TOGETHER AT THE FACTORY, AND SHIPPED AS ONE UNIT.
 TREATED WOOD 4X4'S HELP TO DISTRIBUTE BACKFILL AND GROUND SOIL PRESSURES

DRAWN BY: ROBIN LEWIS

DATE: 8/16/2011

REVISION LEVEL: 0

WEIGHT:

613 LBS.

MATERIAL:

FIBERCRETE FC

CONCAST
 1010 NORTH STAR DRIVE
 P.O. BOX 69
 ZUMBROTA, MN 55992-0069

DESCRIPTION:

FIBERCRETE BOX PAD

DIMENSIONS ARE IN INCHES
 TOLERANCES:
 FRACTIONAL: ± 1/8"
 ANGULAR: ± 2°

CONTACT INFORMATION:
 EMAIL: INFO@CONCASTINC.COM
 PHONE: (507) 732-4095
 FAX: (507) 732-4094

SHEET 1 OF 1

PART NUMBER:

FC-54-56-36-4244