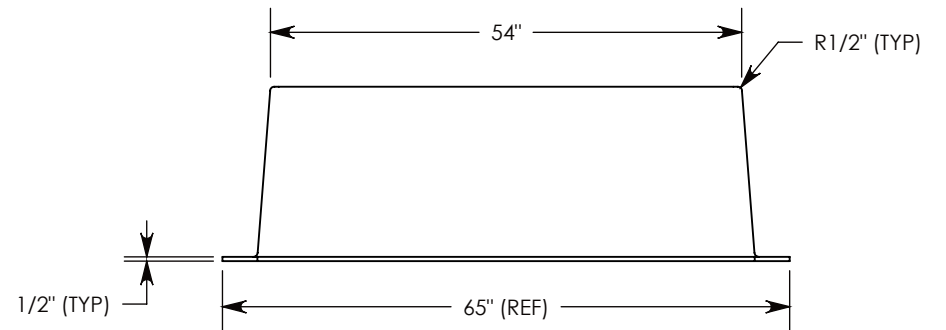
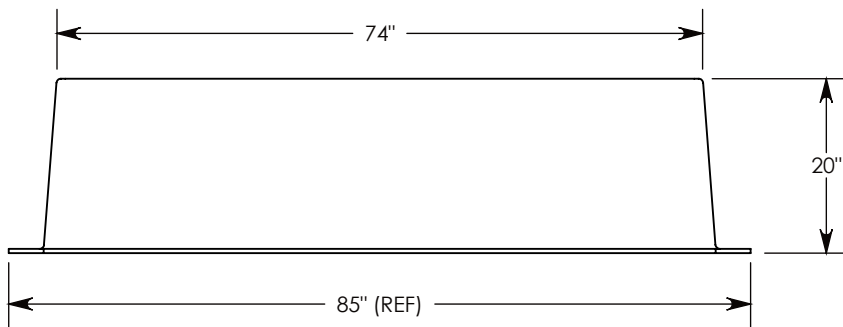
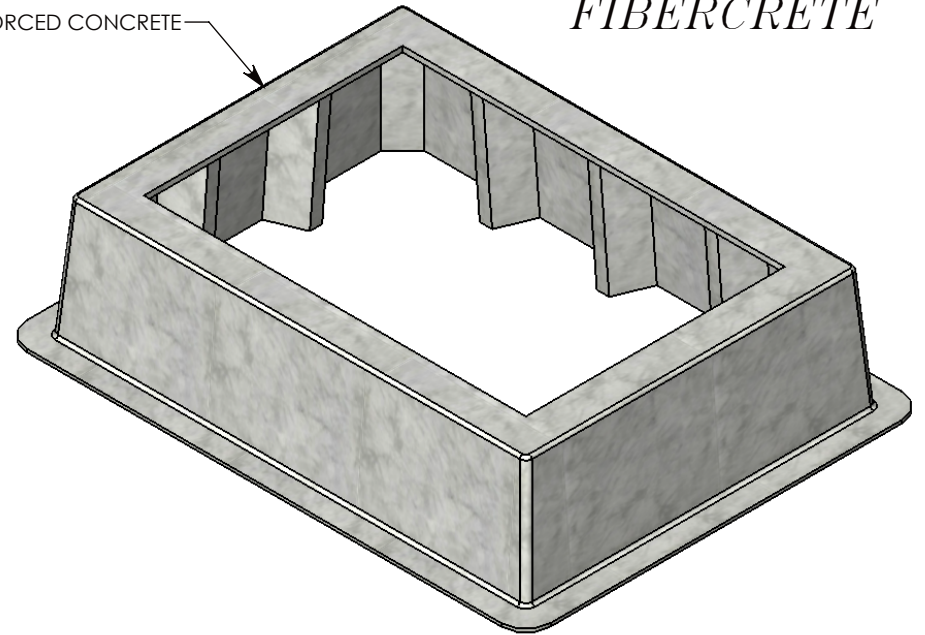
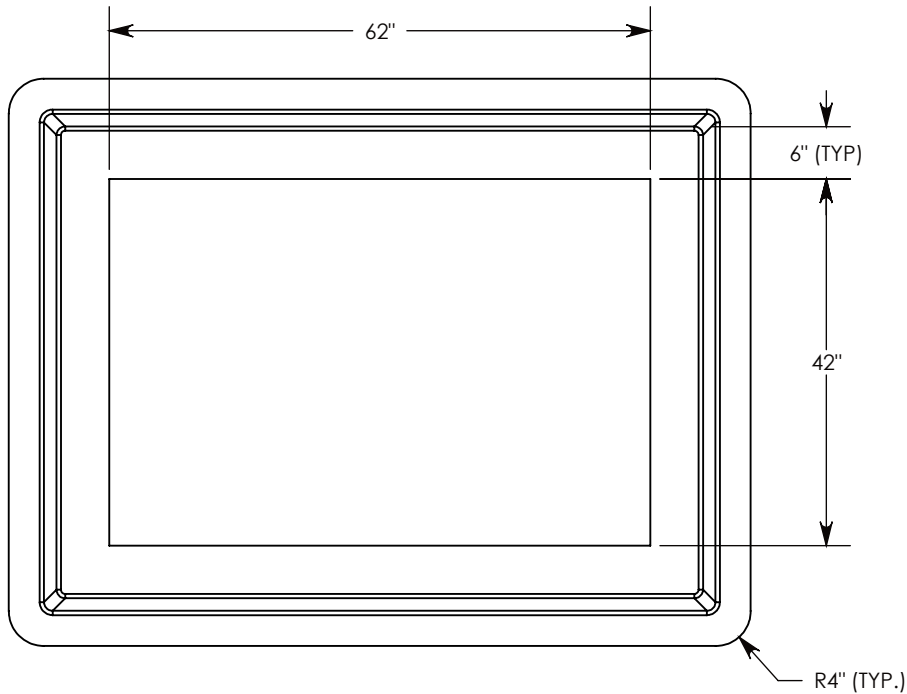


FIBERCRETE®

FIBER REINFORCED CONCRETE



**DRAWN BY: ROBIN LEWIS**

**DATE: 7/21/2011**

**REVISION LEVEL: 0**

**WEIGHT:**

**478 LBS.**

**MATERIAL:**

**FIBERCRETE FC**



**CONCAST**  
 1010 NORTH STAR DRIVE  
 P.O. BOX 69  
 ZUMBROTA, MN 55992-0069

**DESCRIPTION:**

**FIBERCRETE BOX PAD**

DIMENSIONS ARE IN INCHES  
 TOLERANCES:  
 FRACTIONAL: ± 1/8"  
 ANGULAR: ± 2°

CONTACT INFORMATION:  
 EMAIL: INFO@CONCASTINC.COM  
 PHONE: (507) 732-4095  
 FAX: (507) 732-4094

SHEET 1 OF 1

**PART NUMBER:**

**FC-54-74-20-4262**