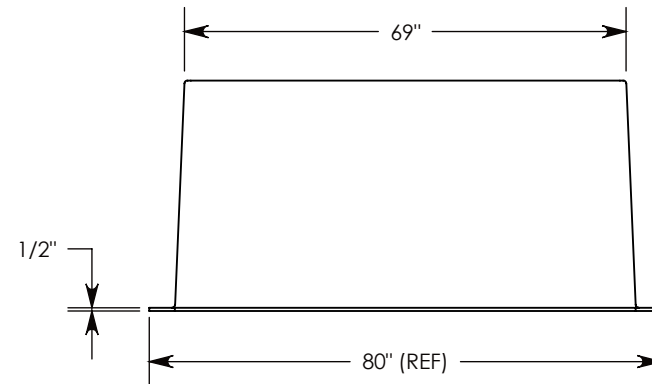
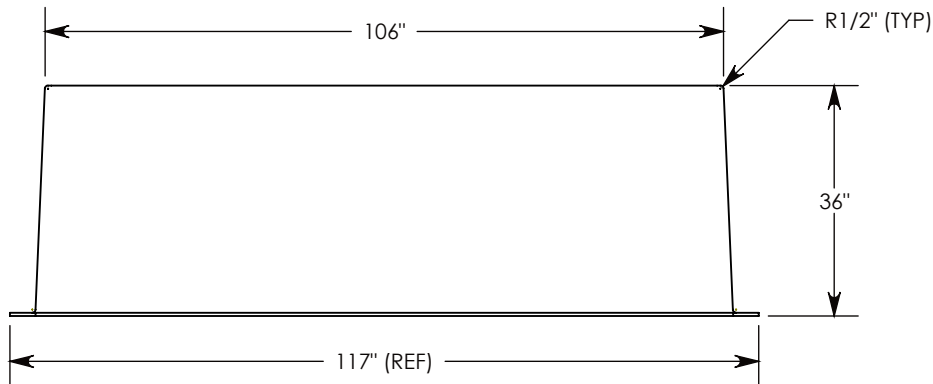
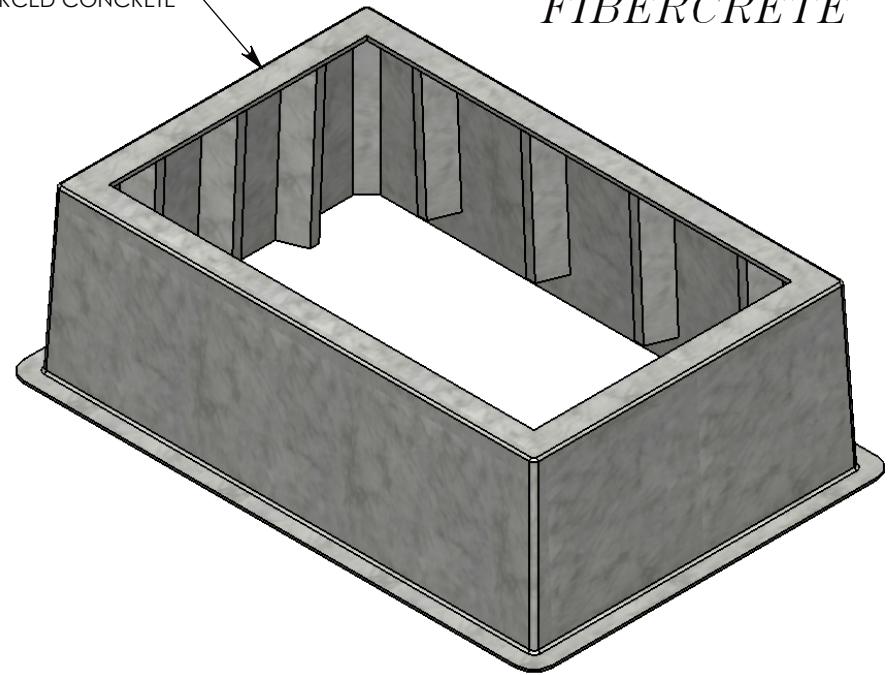
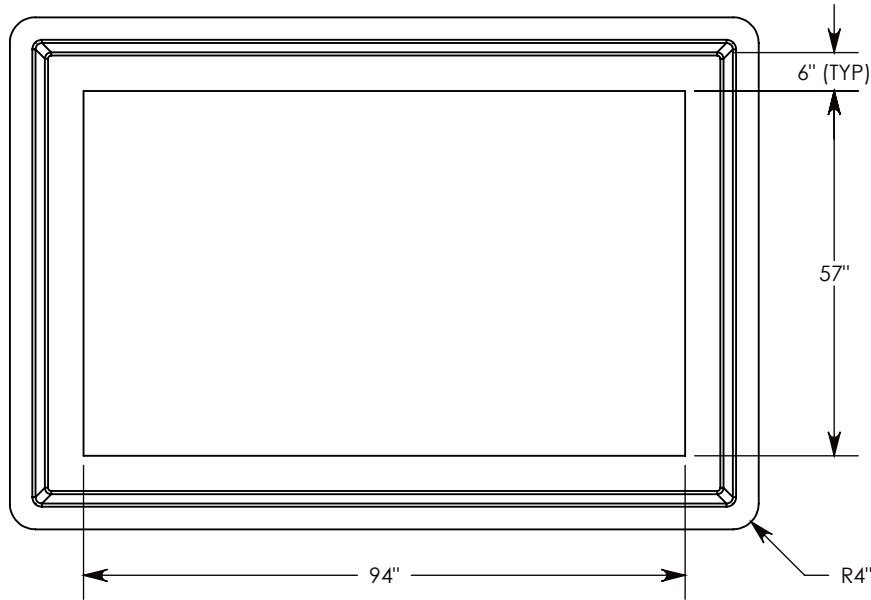


FIBER REINFORCED CONCRETE

FIBERCRETE®



**DRAWN BY: ROBIN LEWIS**

**DATE: 7/27/2011**

**REVISION LEVEL: 0**

**WEIGHT:**

**984 LBS.**

**MATERIAL:**

**FIBERCRETE FC**



**CONCAST**  
 1010 NORTH STAR DRIVE  
 P.O. BOX 69  
 ZUMBROTA, MN 55992-0069

**DESCRIPTION:**

**FIBERCRETE BOX PAD**

DIMENSIONS ARE IN INCHES

TOLERANCES:  
 FRACTIONAL:  $\pm 1/8"$   
 ANGULAR:  $\pm 2^\circ$

CONTACT INFORMATION:  
 EMAIL: INFO@CONCASTINC.COM  
 PHONE: (507) 732-4095  
 FAX: (507) 732-4094

**PART NUMBER: FC-69-106-36-5794**

SHEET 1 OF 1