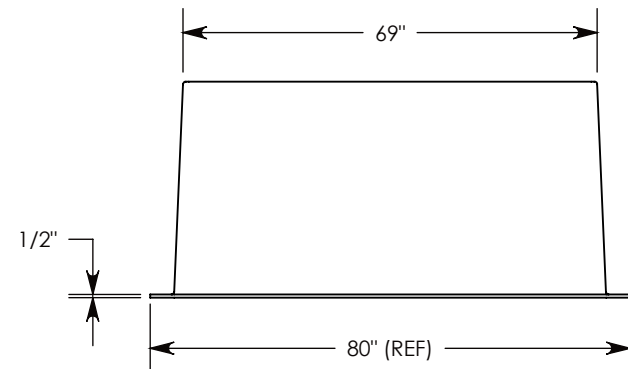
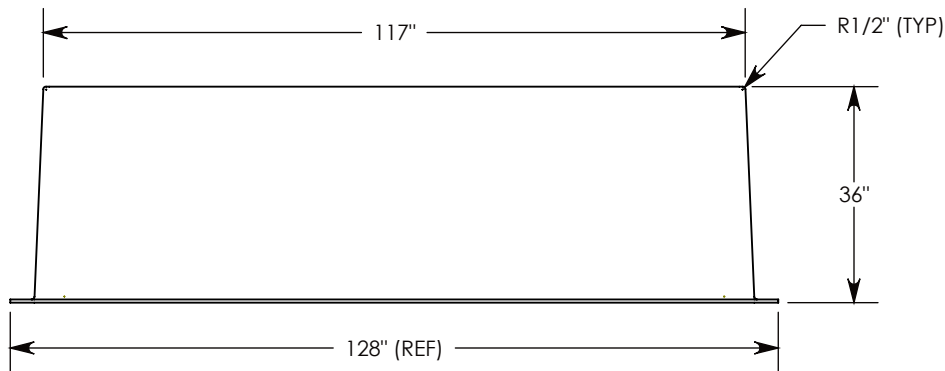
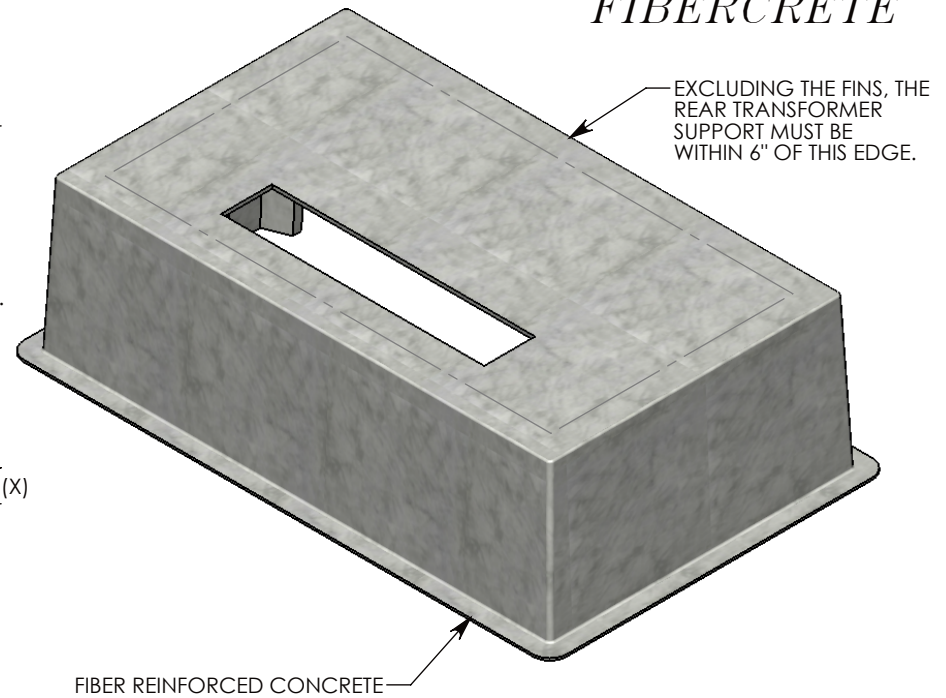
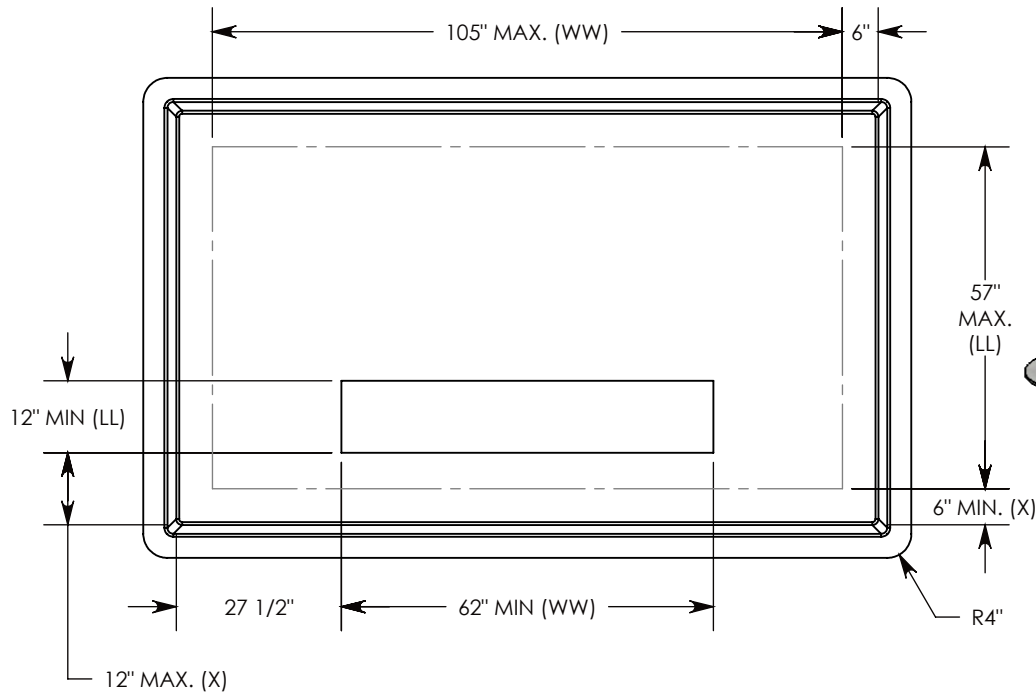


FIBERCRETE®



Ø 1/2"-13 UNC LIFTING INSERTS WILL BE CAST INTO BOX PAD
 IF SPECIFIC INSERTS OR MOUNTING HARDWARE ARE REQUIRED, PLEASE SPECIFY WHEN ORDERING.
 PART NUMBER IS BASED ON OPENING SIZE. IE: THE SMALLEST OPENING PAD IS P/N: FC-69-117-36-1262 (12)
 THE LARGEST OPENING PAD IS P/N: FC-69-117-36-57105

DRAWN BY: ROBIN FLINT		 1010 NORTH STAR DRIVE P.O. BOX 69 ZUMBROTA, MN 55992-0069	DESCRIPTION: FIBERCRETE BOX PAD		
DATE: 6/20/2013	REVISION LEVEL: 0		DIMENSIONS ARE IN INCHES TOLERANCES: FRACTIONAL: ± 1/8" ANGULAR: ± 2°	CONTACT INFORMATION: EMAIL: INFO@CONCASTINC.COM PHONE: (507) 732-4095 FAX: (507) 732-4094	SHEET 1 OF 1
WEIGHT: 1560 LBS.	MATERIAL: FIBERCRETE FC		PART NUMBER: FC-69-117-36-LLWW (X)		