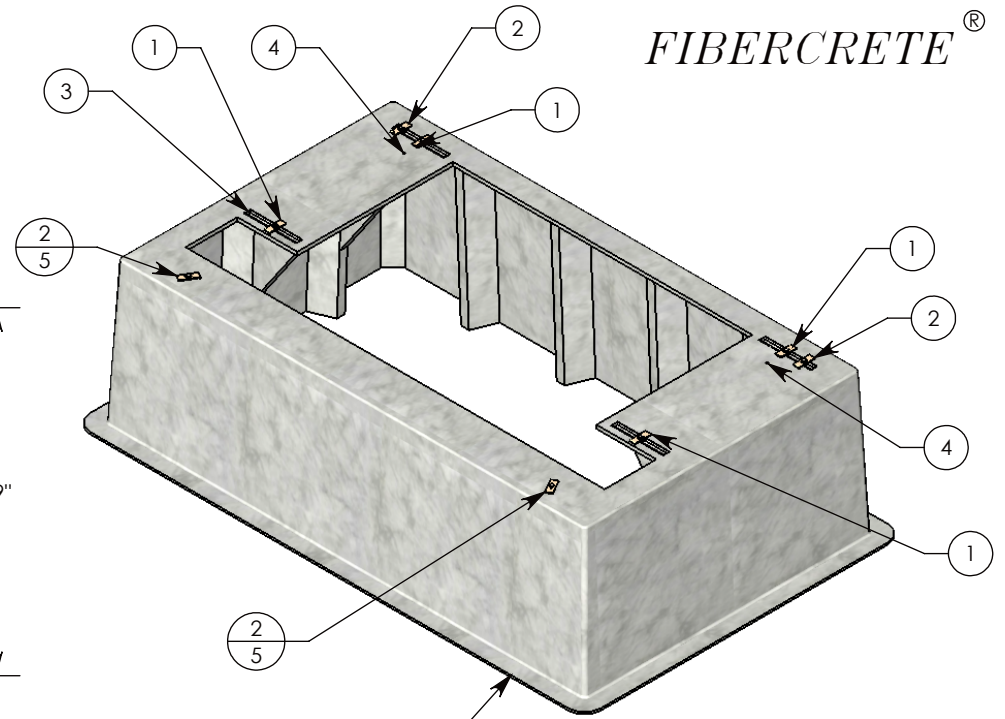


FITS THE FOLLOWING VISTA ENCLOSURE SIZE
65" X 113"



FIBER REINFORCED CONCRETE

NUMBER	DESCRIPTION
1	HOLD DOWN CLAMP (HDC) FOR TANK
2	HOLD DOWN CLAMP (HDC) FOR ENCLOSURE
3	CAST IN METAL UNISTRUT W/ 1/2" NUTS
4	1/2" THREADED INSERTS FOR LIFTING
5	1/2" THREADED INSERT FOR LIFTING & HDC

NOTE:
1. 8 HOLD DOWN CLAMPS (HDC) W/ BOLTS WILL BE PROVIDED

DRAWN BY: ROBIN FLINT	
DATE: 11/26/2012	REVISION LEVEL: 0
WEIGHT: 1188 LBS.	MATERIAL: FIBERCRETE



CONCAST
1010 NORTH STAR DRIVE
P.O. BOX 69
ZUMBROTA, MN 55992-0069

DESCRIPTION: FIBERCRETE BOX PAD (VISTA)		
DIMENSIONS ARE IN INCHES TOLERANCES: FRACTIONAL: ± 1/8" ANGULAR: ± 2°	CONTACT INFORMATION: EMAIL: INFO@CONCASTINC.COM PHONE: (507) 732-4095 FAX: (507) 732-4094	SHEET 1 OF 1
PART NUMBER: FC-69-117-36-V		