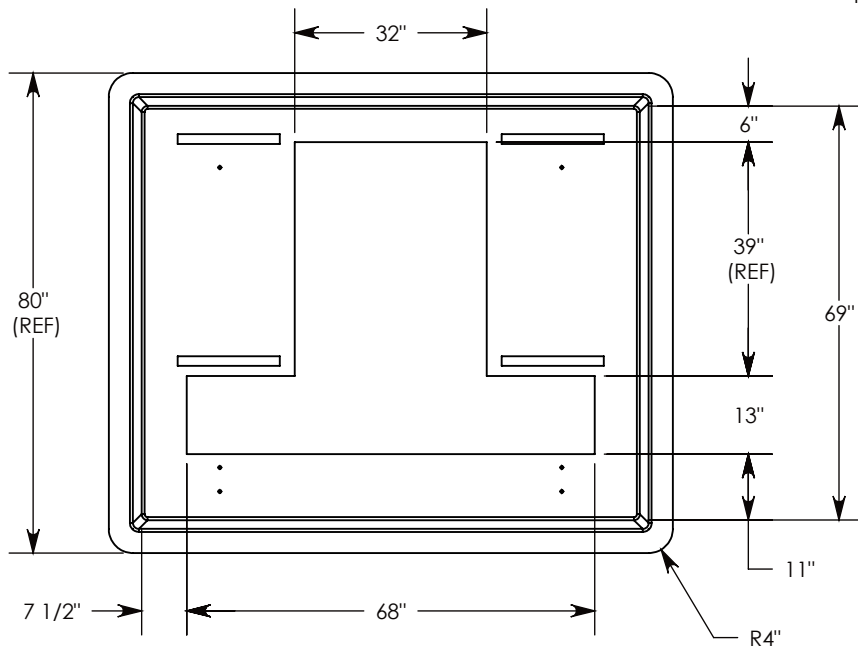
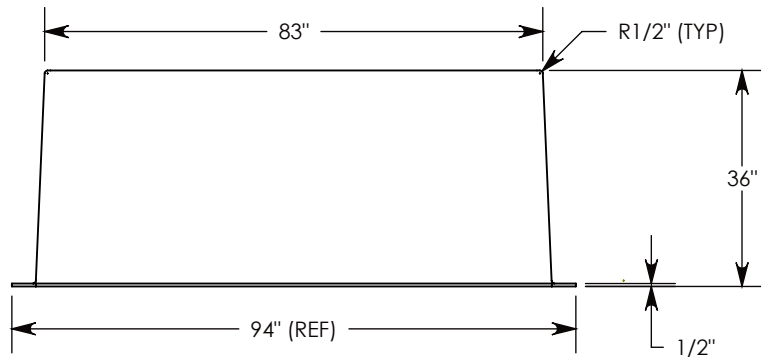
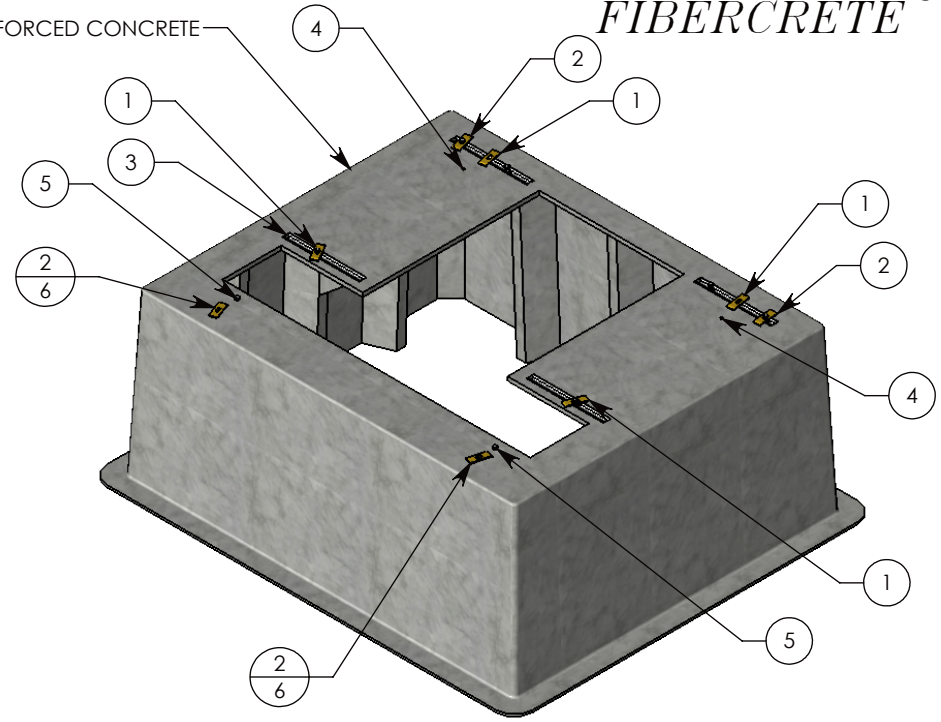


FIBERCRETE®



FIBER REINFORCED CONCRETE



FITS THE FOLLOWING VISTA ENCLOSURE SIZES
61" X 72" --- 65" X 72" --- 65" X 79"

NUMBER	DESCRIPTION
1	HOLD DOWN CLAMP (HDC) FOR TANK
2	HOLD DOWN CLAMP (HDC) FOR ENCLOSURE
3	CAST IN METAL UNISTRUT W/ 1/2" NUTS
4	1/2" THREADED INSERTS FOR LIFTING
5	1/2" THREADED INSERTS FOR ENCLOSURE HDC
6	1/2" THREADED INSERT FOR LIFTING & HDC

NOTE:
1. 8 HOLD DOWN CLAMPS (HDC) W/ BOLTS WILL BE PROVIDED
2. #5 ONLY USED FOR 61" DEEP VISTA ENCLOSURES

DRAWN BY: ROBIN FLINT

DATE: 8/29/2016

REVISION LEVEL: 0

WEIGHT:

1065 LBS.

MATERIAL:

FIBERCRETE



1010 NORTH STAR DRIVE
P.O. BOX 69
ZUMBROTA, MN 55992-0069

DESCRIPTION:

FIBERCRETE BOX PAD (VISTA)

DIMENSIONS ARE IN INCHES
TOLERANCES:
FRACTIONAL: ± 1/8"
ANGULAR: ± 2°

CONTACT INFORMATION:
EMAIL: INFO@CONCASTINC.COM
PHONE: (507) 732-4095
FAX: (507) 732-4094

SHEET 1 OF 1

PART NUMBER:

FC-69-83-36-V