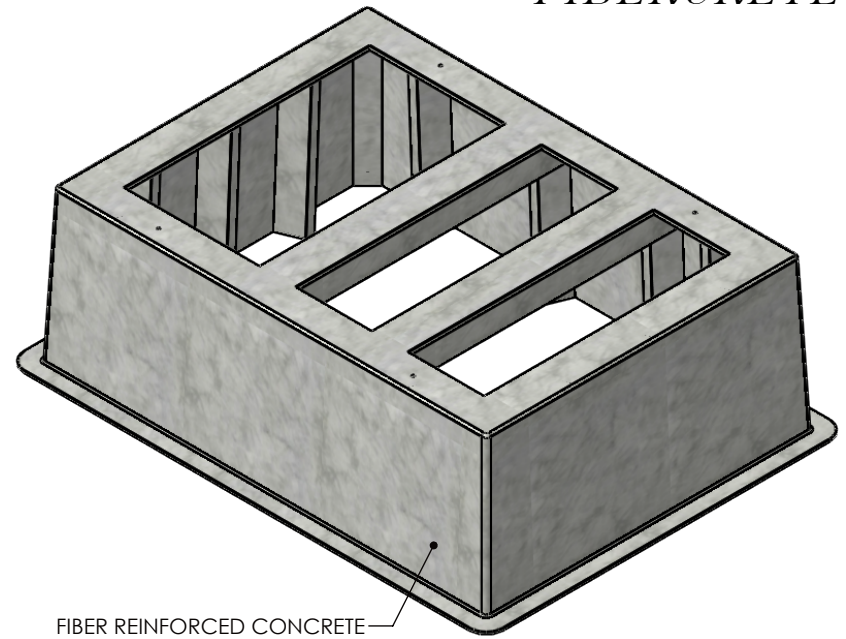
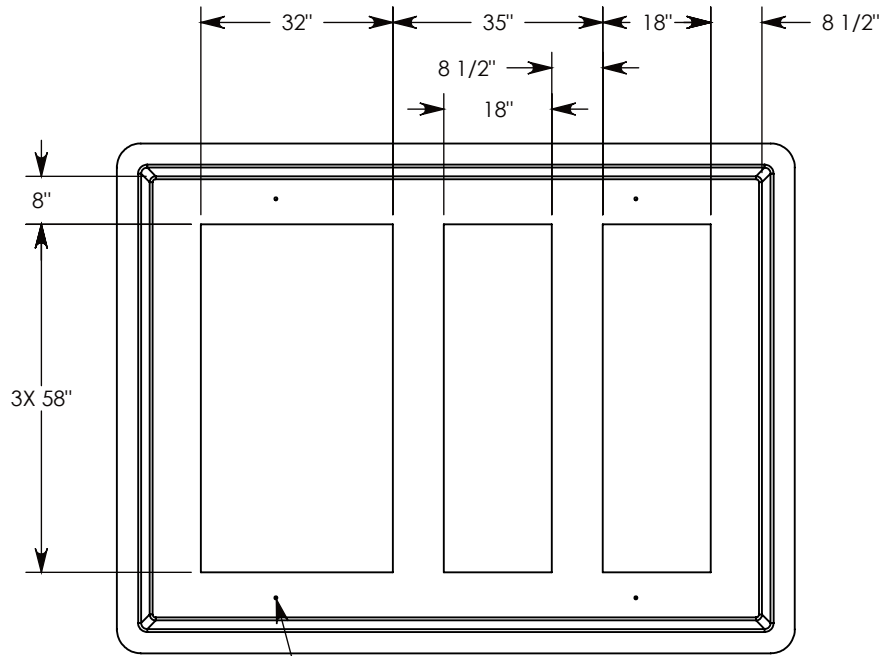
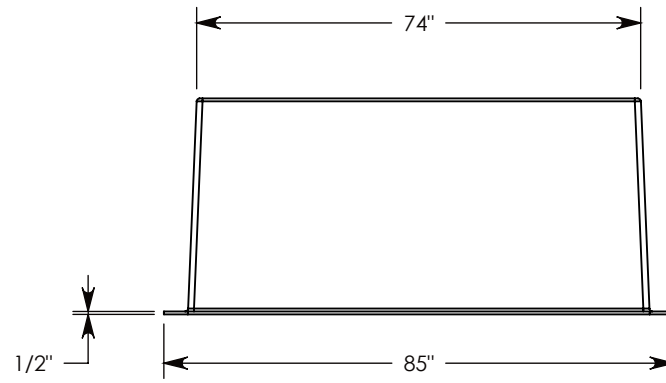
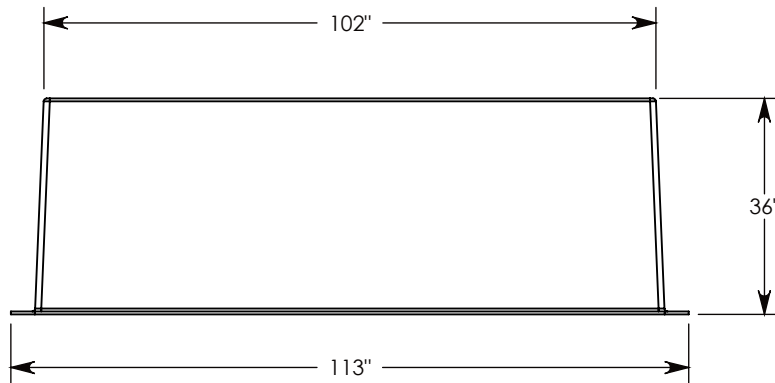


FIBERCRETE®



FIBER REINFORCED CONCRETE



DRAWN BY: SAMUEL CALLAHAN

CREATED DATE: 10/23/2019 **REVISION LEVEL:** 0

SAVED DATE: 10/25/2019 **SAVED BY:** scallahan

WEIGHT: 1206 LBS. **MATERIAL:** FIBERCRETE FC

CONCAST
 1010 NORTH STAR DRIVE
 P.O. BOX 69
 ZUMBROTA, MN 55992-0069

DESCRIPTION:
FIBERCRETE BOX PAD

DIMENSIONS ARE IN INCHES
 TOLERANCES:
 FRACTIONAL: ± 1/8"
 ANGULAR: ± 2°

CONTACT INFORMATION:
 EMAIL: INFO@CONCASTINC.COM
 PHONE: (507) 732-4095
 FAX: (507) 732-4094

SHEET 1 OF 1

PART NUMBER: FC-74-102-36(35)5818-5832