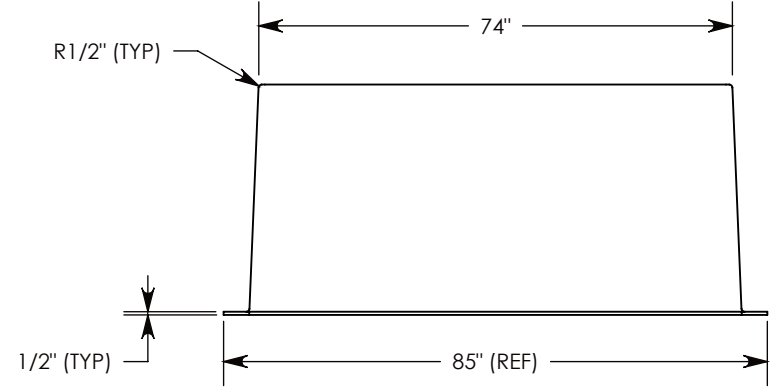
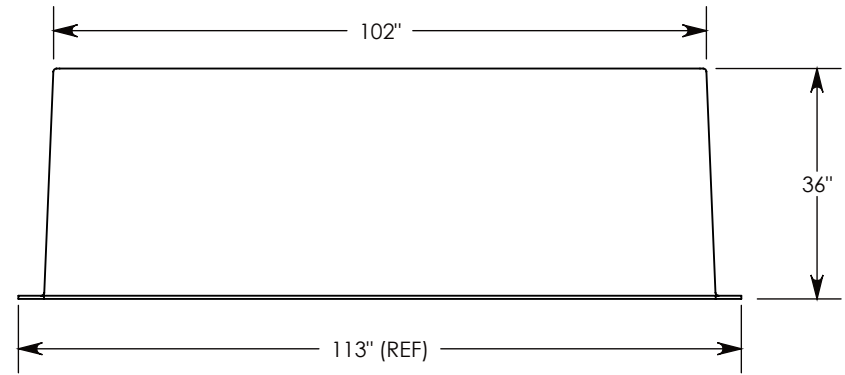
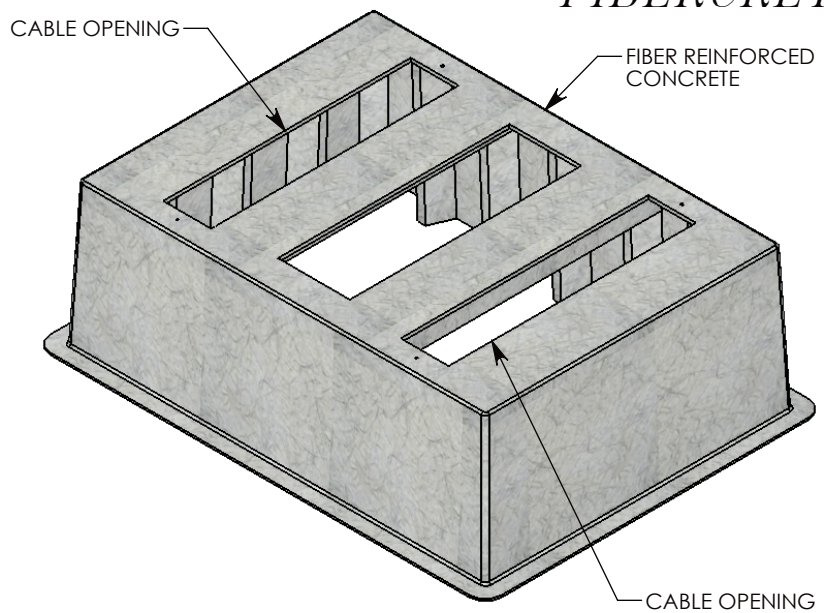
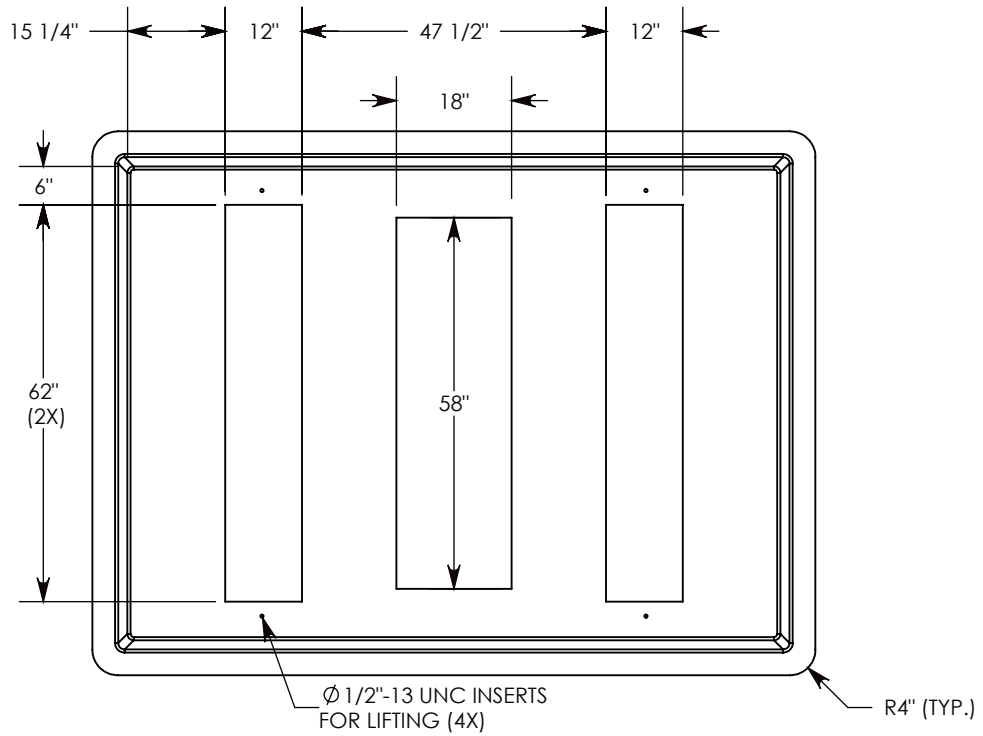


FIBERCRETE®



OPENING SIZES ABOVE FIT MOST LARGER COOPER VFI SWITCHGEAR. PLEASE CONFIRM PRIOR TO ORDERING THAT THIS BOX WILL FIT YOUR SWITCHGEAR. CONCAST CAN DO THE VERIFICATION FOR YOU IF YOU SEND THE SWITCHGEAR FOOTPRINT ALONG WITH THE VISIBLE BREAK DESIGNATION.

DRAWN BY: ROBIN FLINT	
DATE: 5/14/2013	REVISION LEVEL: 0
WEIGHT: 1364 LBS.	MATERIAL: FIBERCRETE FC

CONCAST
 1010 NORTH STAR DRIVE
 P.O. BOX 69
 ZUMBROTA, MN 55992-0069

DESCRIPTION:		
GENERIC COOPER BOX PAD		
DIMENSIONS ARE IN INCHES TOLERANCES: FRACTIONAL: ± 1/8" ANGULAR: ± 2°	CONTACT INFORMATION: EMAIL: INFO@CONCASTINC.COM PHONE: (507) 732-4095 FAX: (507) 732-4094	SHEET 1 OF 1
PART NUMBER:		
FC-74-102-36-COOPER		