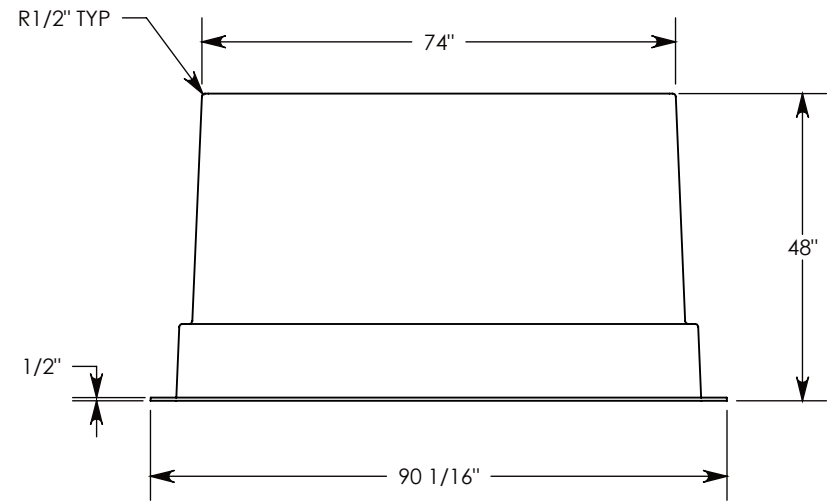
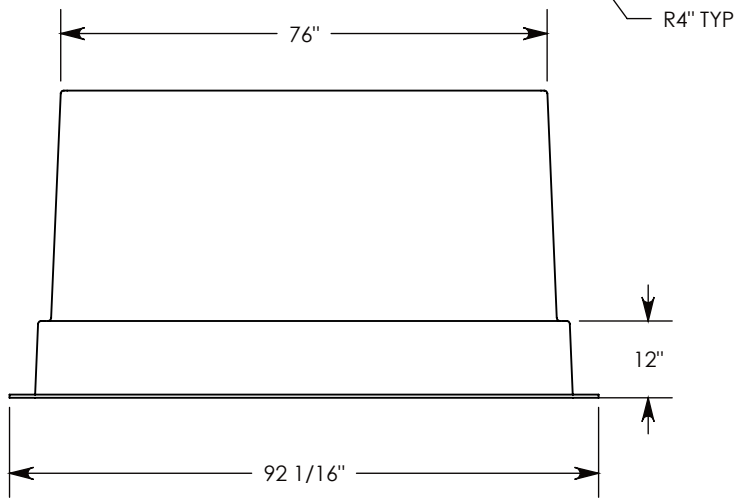
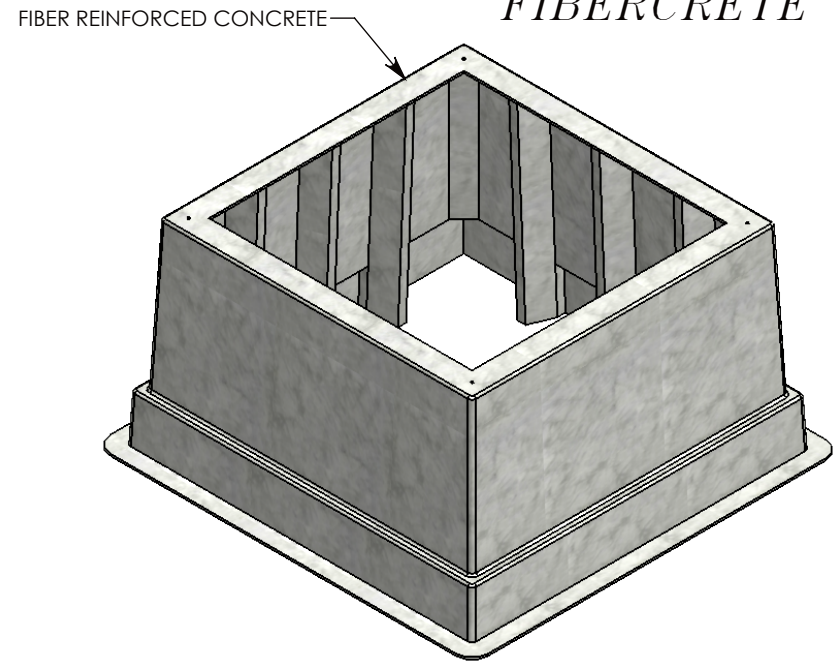
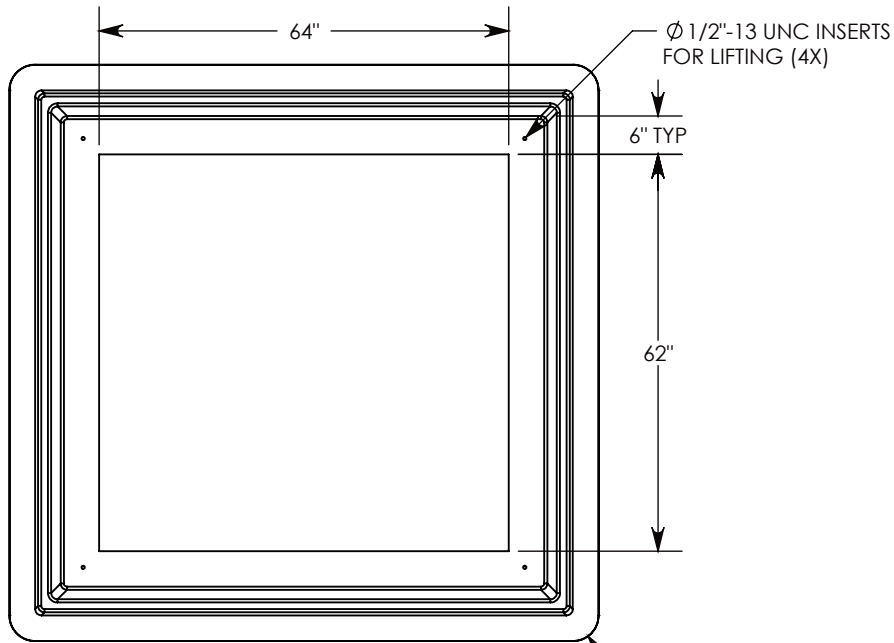


REV. A - JCG - 9/30/2016 - CHANGED FROM STRAIGHT WALLED, TO STEPPED BOX  
 REV. B - SIC - 6/4/2019 - UPDATED ANNOTATIONS, DIMENSIONS AND VIEWS

**FIBERCRETE**®



**DRAWN BY: ROBIN FLINT**

**DATE: 6/4/2019**

**REVISION LEVEL: B**

**WEIGHT:**

**1163 LBS.**

**MATERIAL:**

**FIBERCRETE FC**



**DESCRIPTION:**

**FIBERCRETE PAD BOX**

DIMENSIONS ARE IN INCHES  
 TOLERANCES:  
 FRACTIONAL:  $\pm 1/8$ "  
 ANGULAR:  $\pm 2^\circ$

CONTACT INFORMATION:  
 EMAIL: INFO@CONCASTINC.COM  
 PHONE: (507) 732-4095  
 FAX: (507) 732-4094

SHEET 1 OF 1

**PART NUMBER:**

**FC-74-76-48-6264**