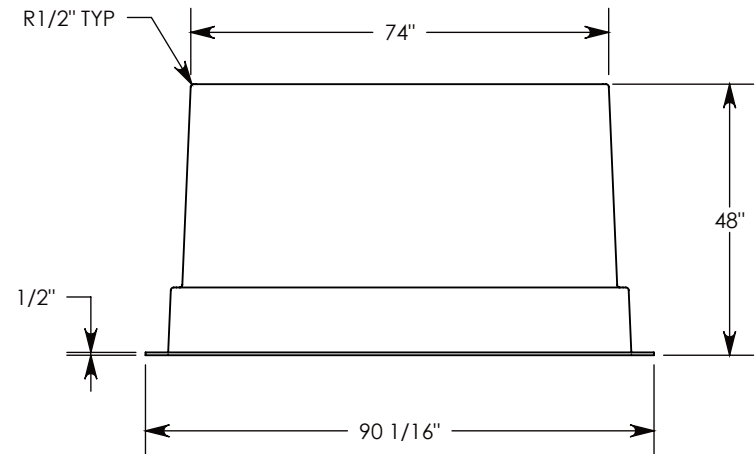
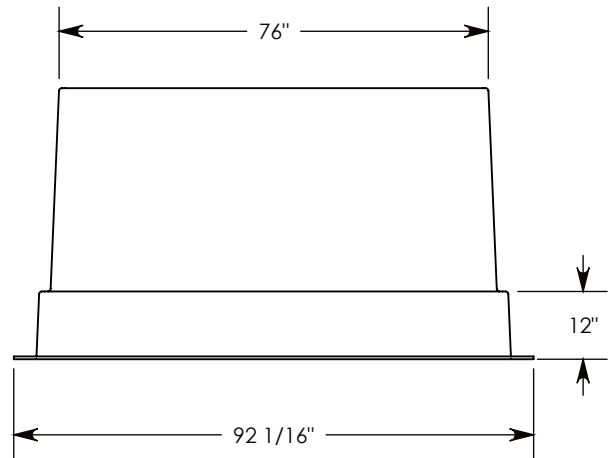
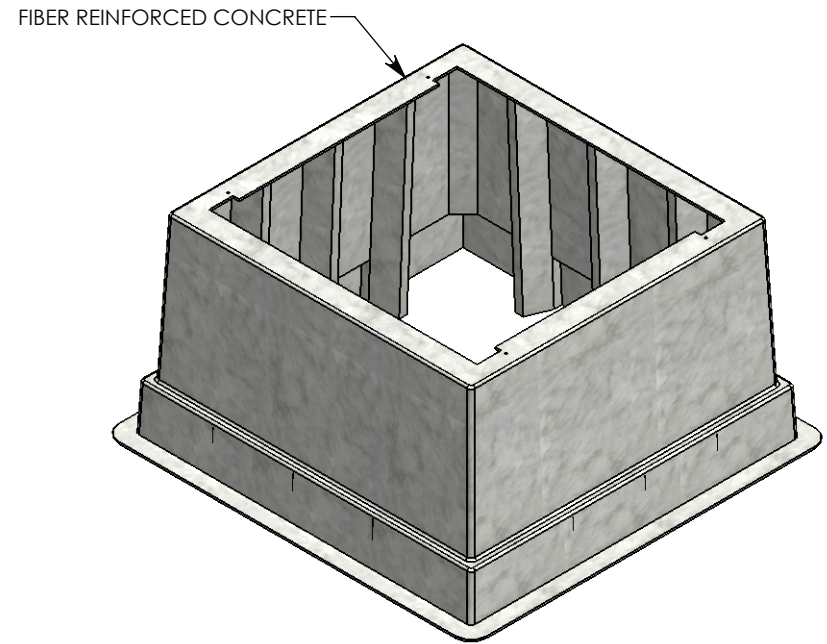
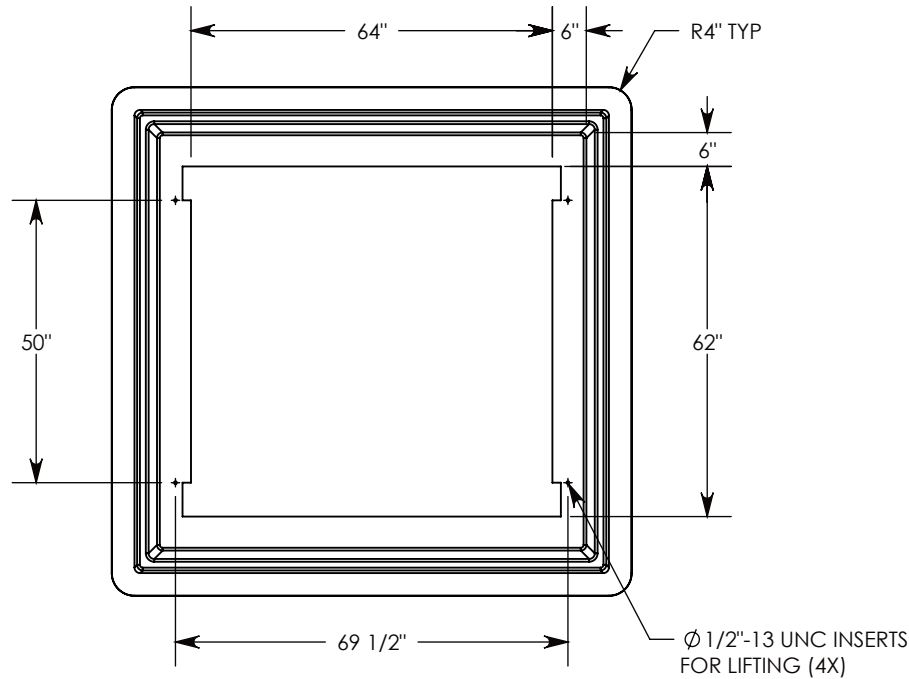


REV. A - JCG - 9/30/2016 - CHANGED FROM STRAIGHT WALLED, TO STEPPED BOX
 REV. B - SIC - 6/4/2019 - UPDATED ANNOTATIONS, DIMENSIONS AND VIEWS
 REV. C - JCG - 2/01/2021 - ADDED INSERT DIMENSIONS AND CORNER OPENING CUTS



DRAWN BY: **ROBIN FLINT**

CREATED DATE: **3/17/2009** REVISION LEVEL: **C**

SAVED DATE: **2/10/2021** SAVED BY: **jgutting**

WEIGHT: **1044 LBS.** MATERIAL: **FIBERCRETE FC**

CONCAST
 1010 NORTH STAR DRIVE
 P.O. BOX 69
 ZUMBROTA, MN 55992-0069

DESCRIPTION:
FIBERCRETE PAD BOX

DIMENSIONS ARE IN INCHES
 TOLERANCES:
 FRACTIONAL: $\pm 1/8"$
 ANGULAR: $\pm 2^\circ$

CONTACT INFORMATION:
 EMAIL: INFO@CONCASTINC.COM
 PHONE: (507) 732-4095
 FAX: (507) 732-4094

SHEET 1 OF 1

PART NUMBER:
FC-74-76-48-6264