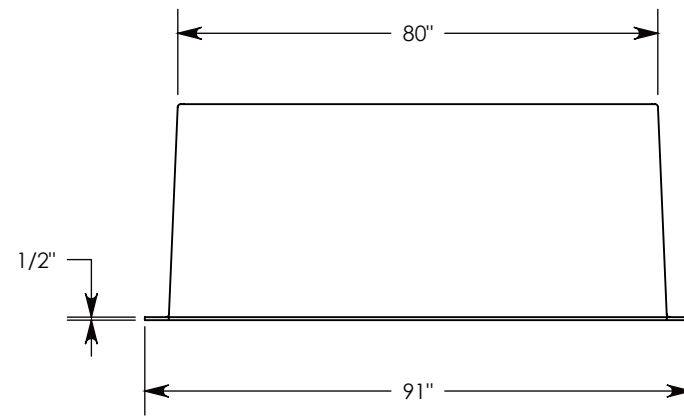
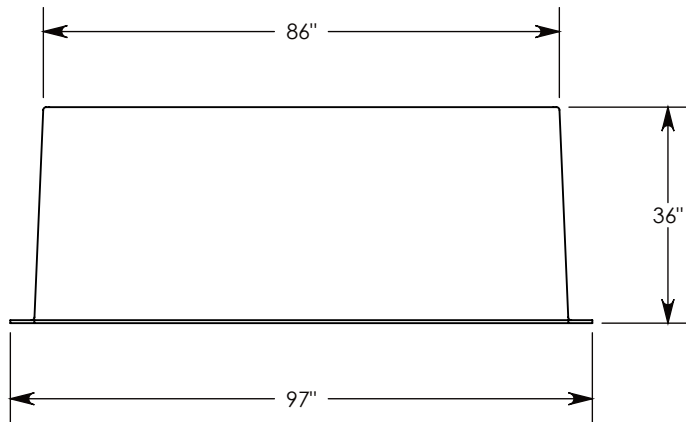
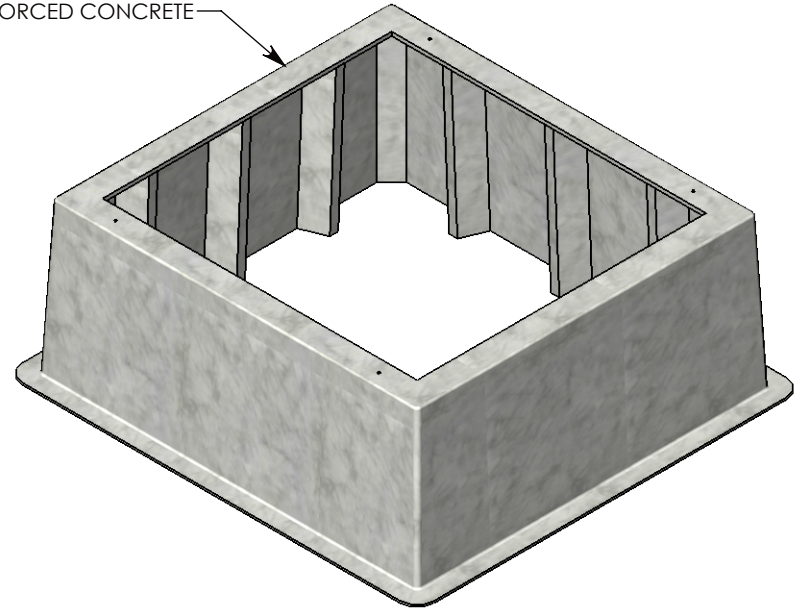


FIBER REINFORCED CONCRETE



NOTE 1: IF SPECIFIC INSERTS OR MOUNTING HARDWARE ARE REQUIRED, PLEASE SPECIFY WHEN ORDERING.

| | |
|--------------------------------|-----------------------------------|
| DRAWN BY: ROBIN FLINT | |
| CREATED DATE: 3/17/2009 | REVISION LEVEL: A |
| SAVED DATE: 10/28/2019 | SAVED BY: JGUTTING |
| WEIGHT: 855 LBS. | MATERIAL: FIBERCRETE FC |



CONCAST
 1010 NORTH STAR DRIVE
 P.O. BOX 69
 ZUMBROTA, MN 55992-0069

| | | |
|--|--|--------------|
| DESCRIPTION: FIBERCRETE BOX PAD | | SHEET 1 OF 1 |
| DIMENSIONS ARE IN INCHES TOLERANCES: FRACTIONAL: ± 1/8" ANGULAR: ± 2° | CONTACT INFORMATION: EMAIL: INFO@CONCASTINC.COM PHONE: (507) 732-4095 FAX: (507) 732-4094 | |
| PART NUMBER: FC-80-86-36-6874 | | |