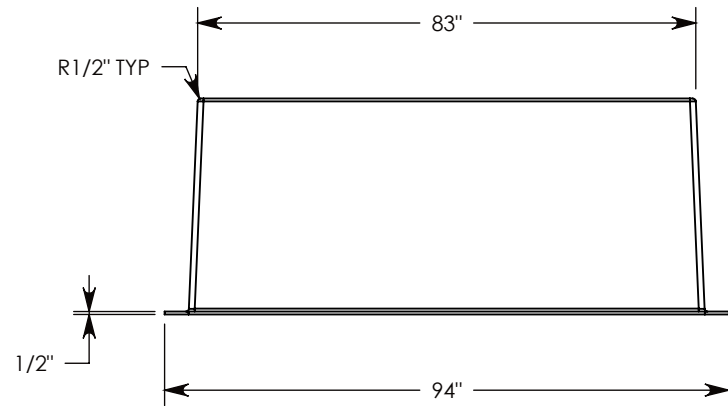
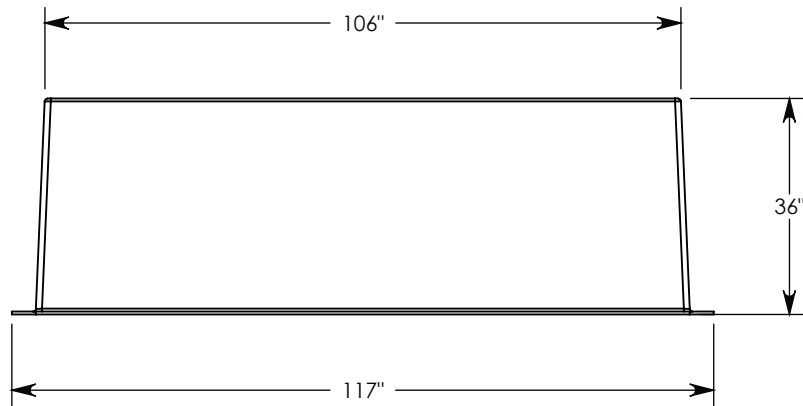


FIBER REINFORCED CONCRETE



DRAWN BY: SAMUEL CALLAHAN	
CREATED DATE: 5/1/2020	REVISION LEVEL: 0
SAVED DATE: 5/4/2020	SAVED BY: scallahan
WEIGHT: 1327 LBS.	MATERIAL: FIBERCRETE FC

1010 NORTH STAR DRIVE
P.O. BOX 69
ZUMBROTA, MN 55992-0069

DESCRIPTION: FIBERCRETE BOX PAD		SHEET 1 OF 1
<small>DIMENSIONS ARE IN INCHES</small>	<small>CONTACT INFORMATION:</small>	
<small>TOLERANCES:</small>	<small>EMAIL: INFO@CONCASTINC.COM</small>	
<small>FRACTIONAL: ± 1/8"</small>	<small>PHONE: (507) 732-4095</small>	
<small>ANGULAR: ± 2°</small>	<small>FAX: (507) 732-4094</small>	
PART NUMBER: FC-83-106-36(35)2-1894		