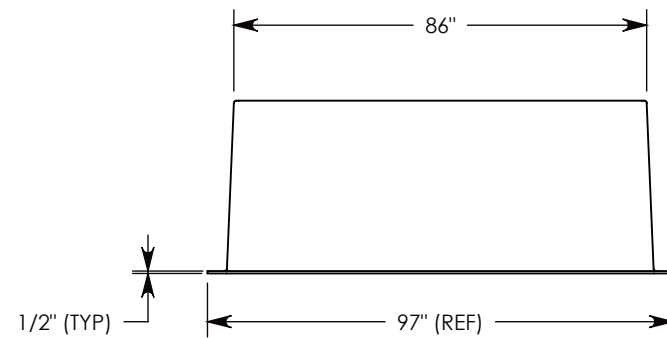
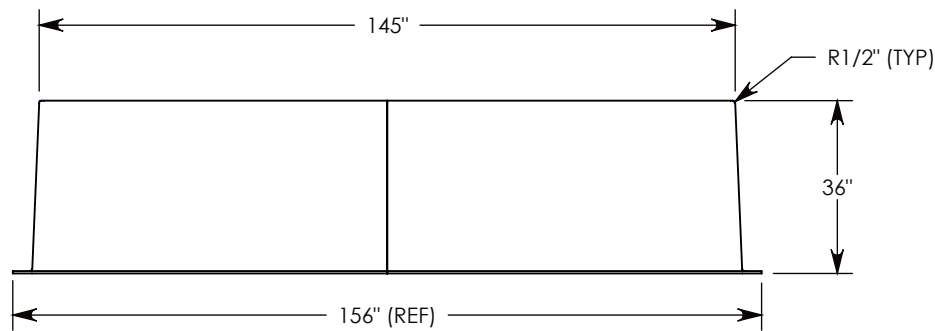
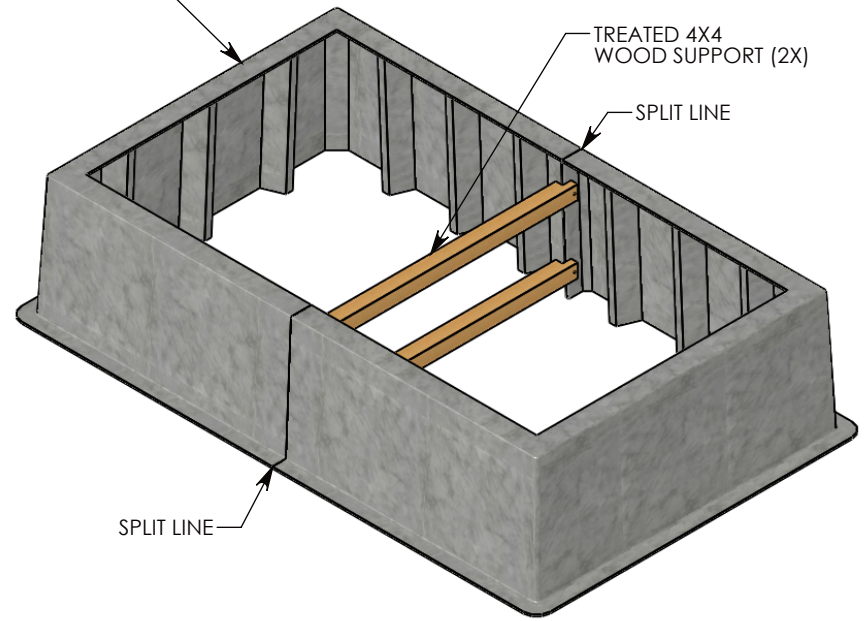
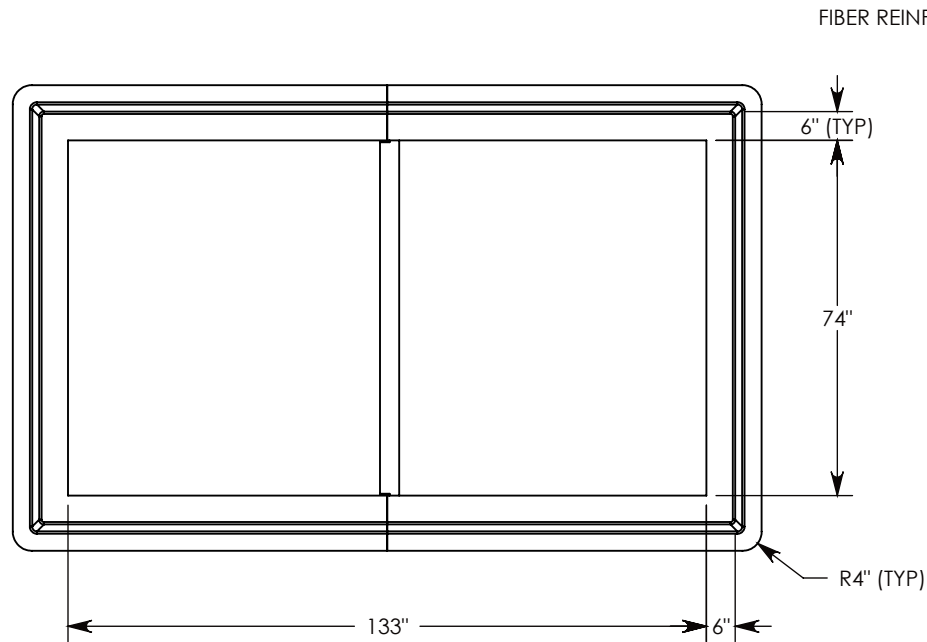


FIBERCRETE®



NOTES:
 EACH BOX PAD SUPPLIED WITH 12 C-CLAMPS AND 3/8-16 UNC X 2" LONG BOLTS SUPPORTS A THREE BAY 25 KV PMX SWITCHGEAR.
 SPLIT BOXES ARE MADE IN TWO HALVES; ADHERED, SEALED, BOLTED TOGETHER AT THE FACTORY, AND SHIPPED AS ONE UNIT.
 TREATED WOOD 4X4'S HELP TO DISTRIBUTE BACKFILL AND GROUND SOIL PRESSURES

DRAWN BY: ROBIN FLINT

DATE: 4/17/2012

REVISION LEVEL: 0

WEIGHT:

1364.46 LBS.

MATERIAL:

FIBERCRETE



DESCRIPTION:

FIBERCRETE BOX PAD

DIMENSIONS ARE IN INCHES
 TOLERANCES:
 FRACTIONAL: ± 1/8"
 ANGULAR: ± 2°

CONTACT INFORMATION:
 EMAIL: INFO@CONCASTINC.COM
 PHONE: (507) 732-4095
 FAX: (507) 732-4094

SHEET 1 OF 1

PART NUMBER:

FC-86-145-36-PMX