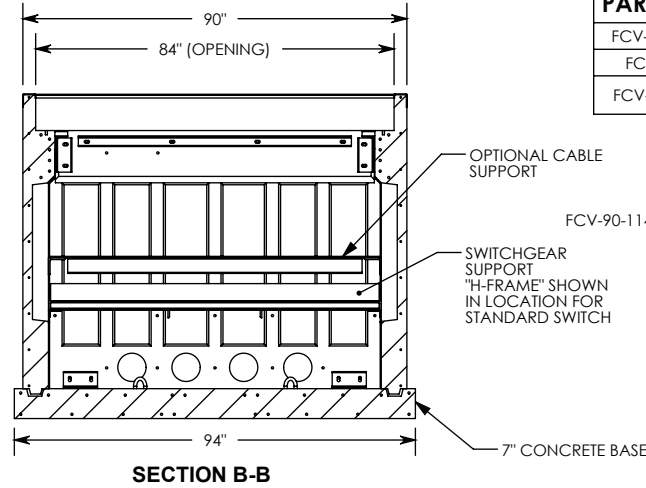
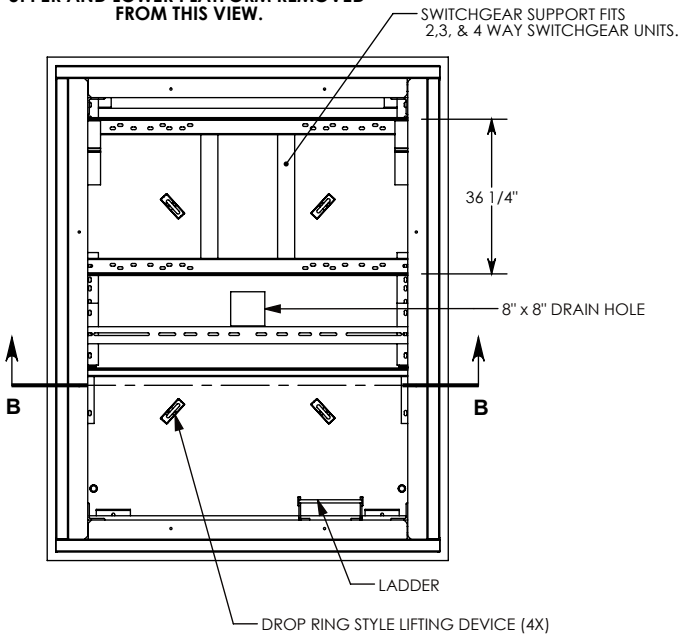
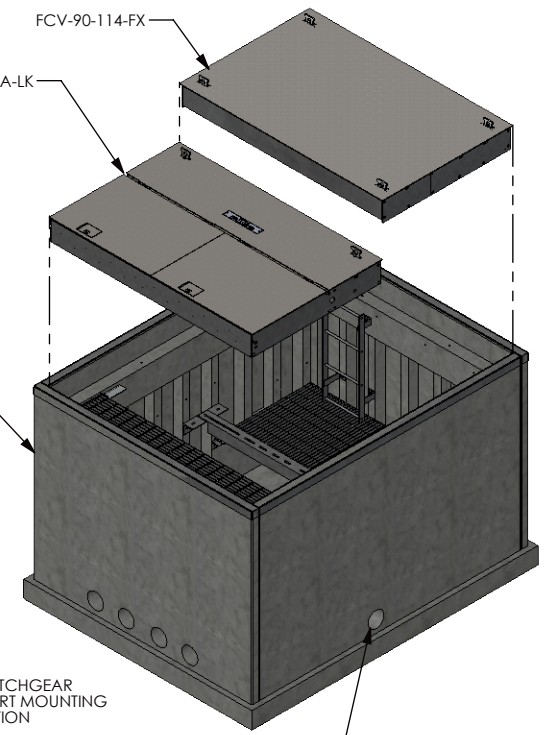


UPPER AND LOWER PLATFORM REMOVED FROM THIS VIEW.

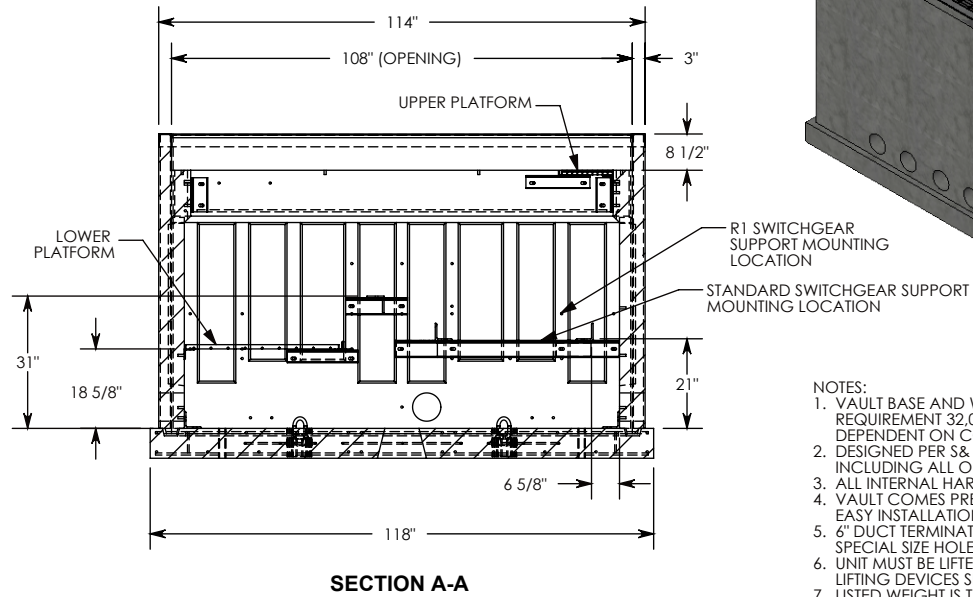
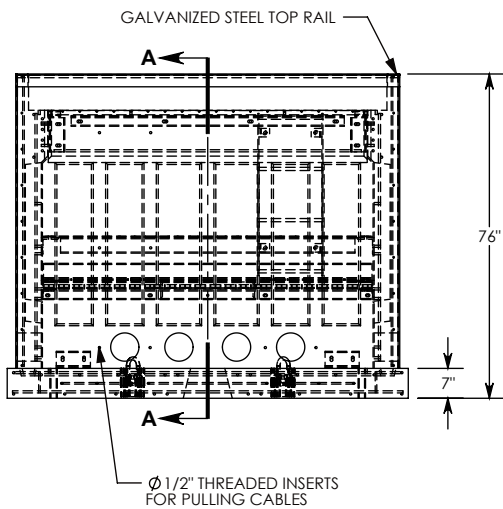


**VAULT PACKAGE BILL OF MATERIALS (BOM)**

PART NUMBER	DESCRIPTION	QTY
FCV-90-114-76-SG	VAULT WITH GALVANIZED STEEL HARDWARE	1
FCV-90-114-FX	FIXED STEEL COVER WITH STD. DECK PLATE	1
FCV-90-114-SA-LK	SPRING-ASSISTED STEEL COVER WITH STD. DECK PLATE & WITH PADLOCK PROVISION	1



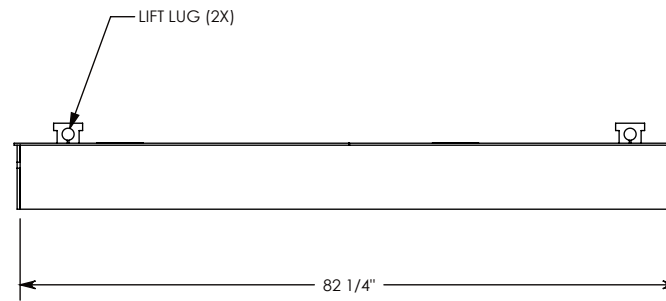
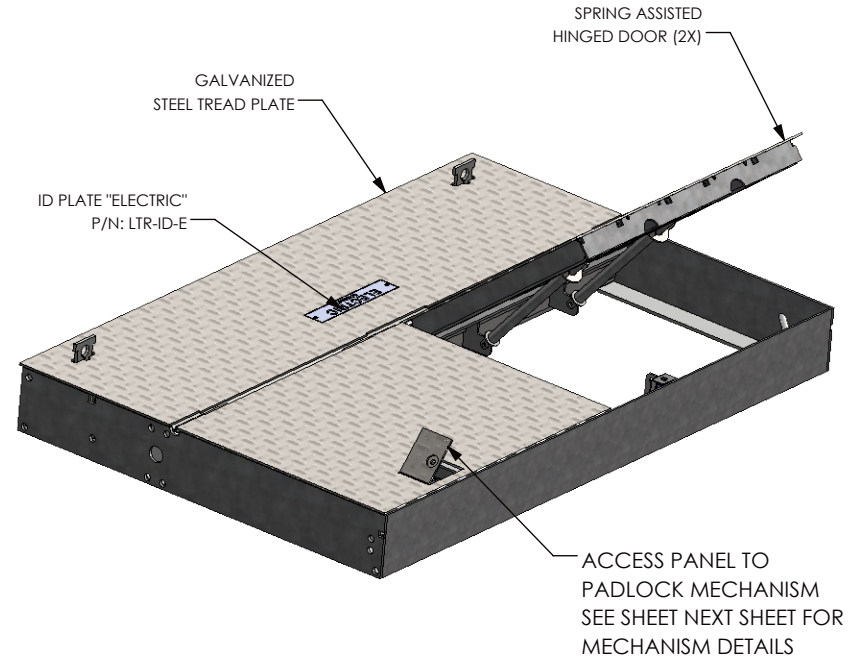
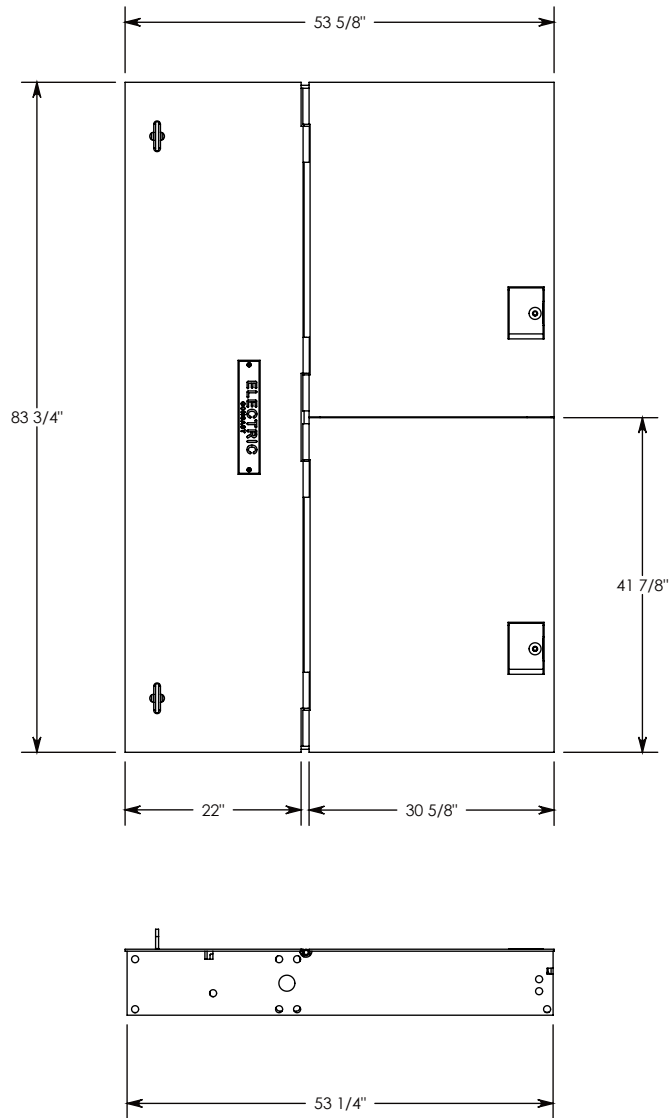
- NOTES:
1. VAULT BASE AND WALLS MEET AASHTO H-20 HEAVY EQUIPMENT REQUIREMENT 32,000 LB. AXLE LOAD. OVERALL VAULT RATING DEPENDENT ON COVERS.
  2. DESIGNED PER S & C PULL BOX SPECIFICATIONS DATA SHEET 681-51. INCLUDING ALL OPTIONAL INTERIOR STEEL HARDWARE.
  3. ALL INTERNAL HARDWARE IS GALVANIZED STEEL.
  4. VAULT COMES PRE-ASSEMBLED WITH COVERS REMOVED FOR EASY INSTALLATION OF YOUR SWITCHGEAR.
  5. 6" DUCT TERMINATORS CAST INTO THE WALLS ARE TYPICAL, BUT ANY SPECIAL SIZE HOLES OR KNOCKOUTS CAN BE ORDERED.
  6. UNIT MUST BE LIFTED VIA THE FOUR CAST-IN, DROP RING LIFTING DEVICES SHOWN.
  7. LISTED WEIGHT IS THE ASSEMBLED VAULT WITH THE COVERS.



DRAWN BY: <b>JESSE GUTTING</b>	
CREATED DATE: <b>10/20/2009</b>	REVISION LEVEL: <b>0</b>
SAVED DATE: <b>3/24/2020</b>	SAVED BY: <b>jgutting</b>
WEIGHT: <b>19519 LBS.</b>	MATERIAL: <b>NOTED</b>

1010 NORTH STAR DRIVE  
P.O. BOX 69  
ZUMBROTA, MN 55992-0069

DESCRIPTION: <b>PRECAST CONCRETE VAULT</b>		SHEET 1 OF 5
DIMENSIONS ARE IN INCHES TOLERANCES: FRACTIONAL: ± 1/8" ANGULAR: ± 2°	CONTACT INFORMATION: EMAIL: <a href="mailto:INFO@CONCASTINC.COM">INFO@CONCASTINC.COM</a> PHONE: (507) 732-4095 FAX: (507) 732-4094	
PART NUMBER: <b>FCV-90-114-76-SG2</b>		



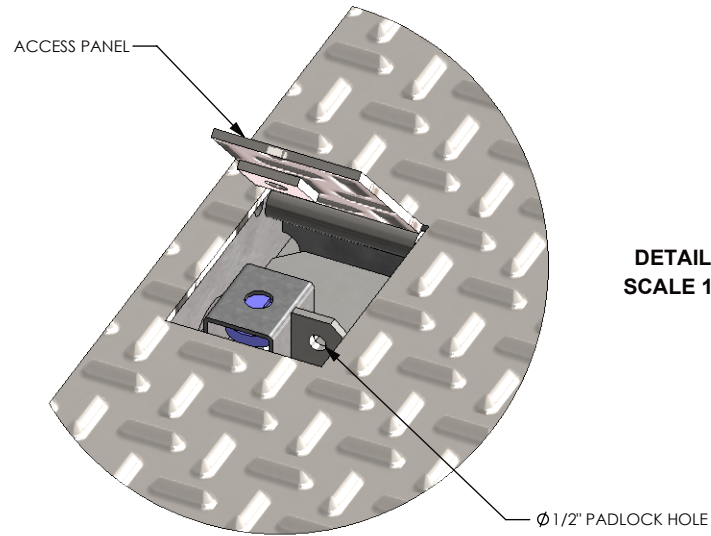
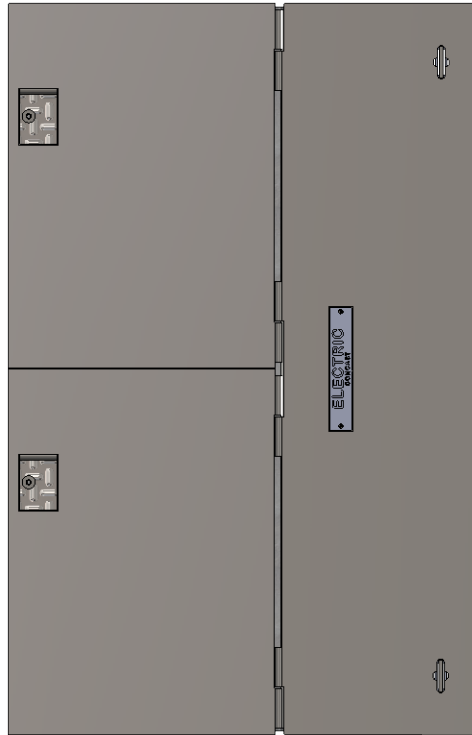
NOTE 1: COVER FITS A 90 - 114 VAULT (OPENING SIZE = 84" X 108")

AASHTO H-20 RATED – 32,000 LB. SINGLE AXLE LOAD

DRAWN BY: <b>JESSE GUTTING</b>	
CREATED DATE: <b>10/20/2009</b>	REVISION LEVEL: <b>0</b>
SAVED DATE: <b>3/24/2020</b>	SAVED BY: <b>jgutting</b>
WEIGHT: <b>1165 LBS.</b>	MATERIAL: <b>WELDED GALV. STEEL</b>

**CONCAST**  
 1010 NORTH STAR DRIVE  
 P.O. BOX 69  
 ZUMBROTA, MN 55992-0069

DESCRIPTION: <b>VAULT SPRING-ASSISTED COVER</b>		SHEET 2 OF 5
DIMENSIONS ARE IN INCHES TOLERANCES: FRACTIONAL: ± 1/8" ANGULAR: ± 2°	CONTACT INFORMATION: EMAIL: <a href="mailto:INFO@CONCASTINC.COM">INFO@CONCASTINC.COM</a> PHONE: (507) 732-4095 FAX: (507) 732-4094	
PART NUMBER: <b>FCV-90-114-SA-LK</b>		



**DETAIL C**  
**SCALE 1 : 5**

**NOTE 1:** COVER FITS A 90 - 114 VAULT (OPENING SIZE = 84" X 108")

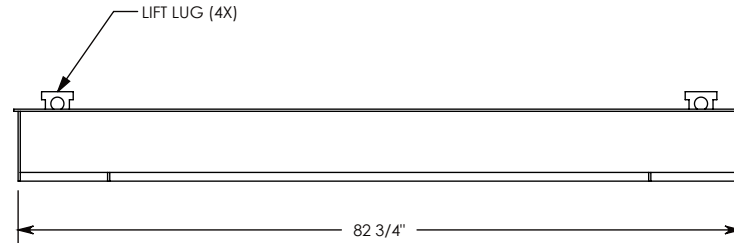
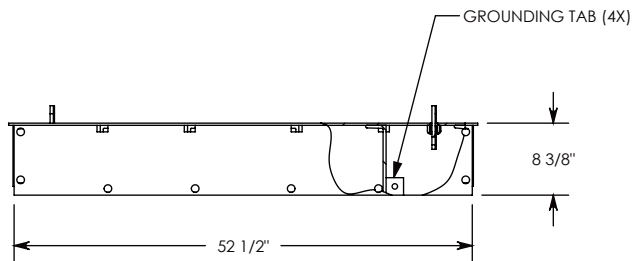
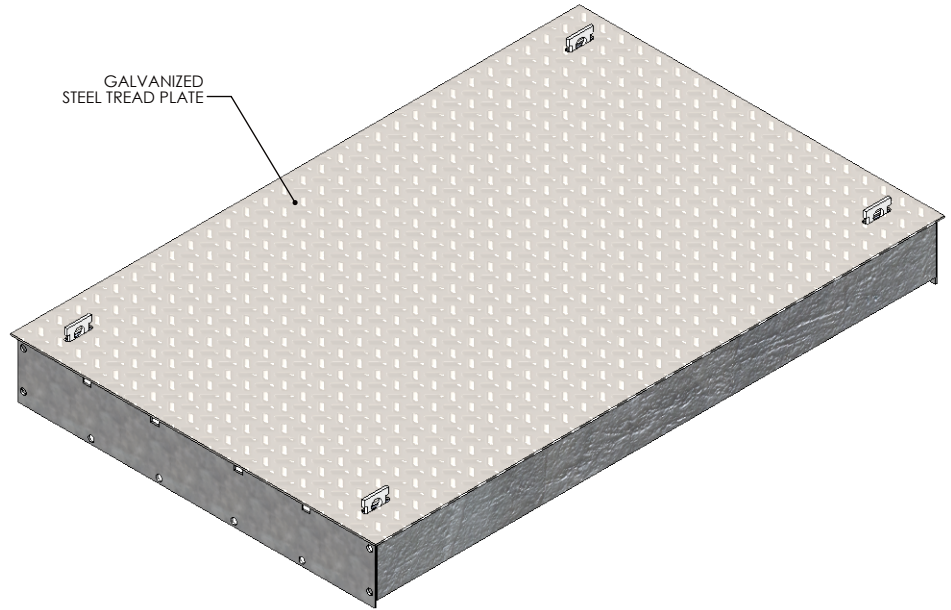
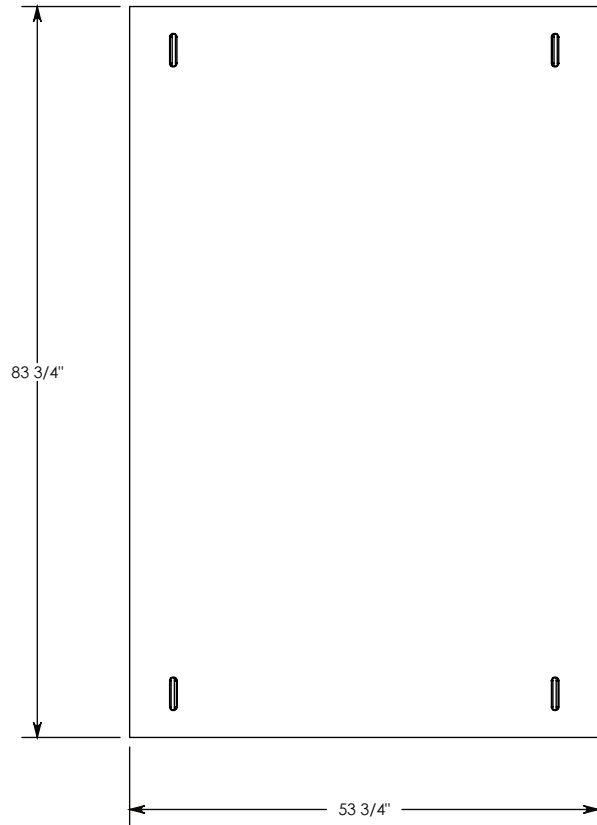
AASHTO H-20 RATED – 32,000 LB. SINGLE AXLE LOAD

DRAWN BY: <b>JESSE GUTTING</b>	
CREATED DATE: <b>10/20/2009</b>	REVISION LEVEL: <b>0</b>
SAVED DATE: <b>3/24/2020</b>	SAVED BY: <b>jgutting</b>
WEIGHT: <b>1165 LBS.</b>	MATERIAL: <b>WELDED GALV. STEEL</b>



1010 NORTH STAR DRIVE  
P.O. BOX 69  
ZUMBROTA, MN 55992-0069

DESCRIPTION: <b>VAULT SPRING-ASSISTED COVER</b>		SHEET 3 OF 5
DIMENSIONS ARE IN INCHES TOLERANCES: FRACTIONAL: ± 1/8" ANGULAR: ± 2°	CONTACT INFORMATION: EMAIL: INFO@CONCASTINC.COM PHONE: (507) 732-4095 FAX: (507) 732-4094	
PART NUMBER: <b>FCV-90-114-SA-LK</b>		



**NOTE 1:** COVER FITS A 90-114 VAULT (OPENING SIZE = 84" X 108")

DRAWN BY: <b>JESSE GUTTING</b>	
CREATED DATE: <b>10/20/2009</b>	REVISION LEVEL: <b>0</b>
SAVED DATE: <b>3/24/2020</b>	SAVED BY: <b>jgutting</b>
WEIGHT: <b>956 LBS.</b>	MATERIAL: <b>WELDED GALV. STEEL</b>



**CONCAST**  
 1010 NORTH STAR DRIVE  
 P.O. BOX 69  
 ZUMBROTA, MN 55992-0069

DESCRIPTION: <b>VAULT COVER - FIXED</b>		SHEET 4 OF 5
DIMENSIONS ARE IN INCHES TOLERANCES: FRACTIONAL: ± 1/8" ANGULAR: ± 2°	CONTACT INFORMATION: EMAIL: <a href="mailto:INFO@CONCASTINC.COM">INFO@CONCASTINC.COM</a> PHONE: (507) 732-4095 FAX: (507) 732-4094	
PART NUMBER: <b>FCV-90-114-FX</b>		