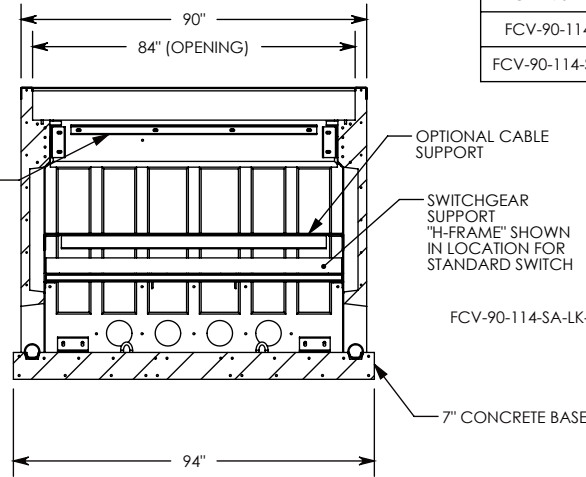
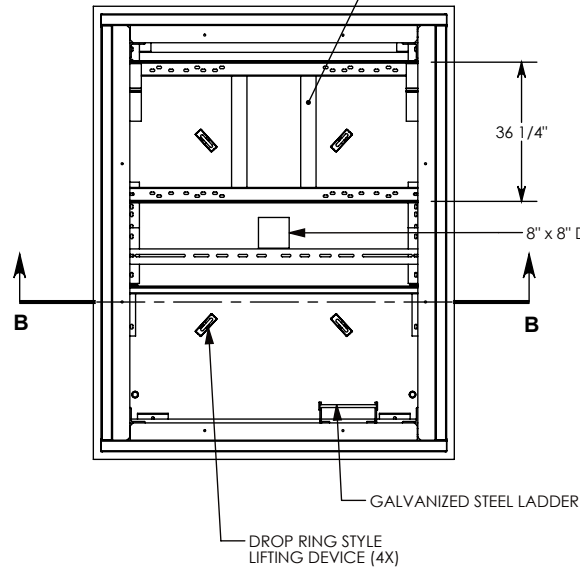


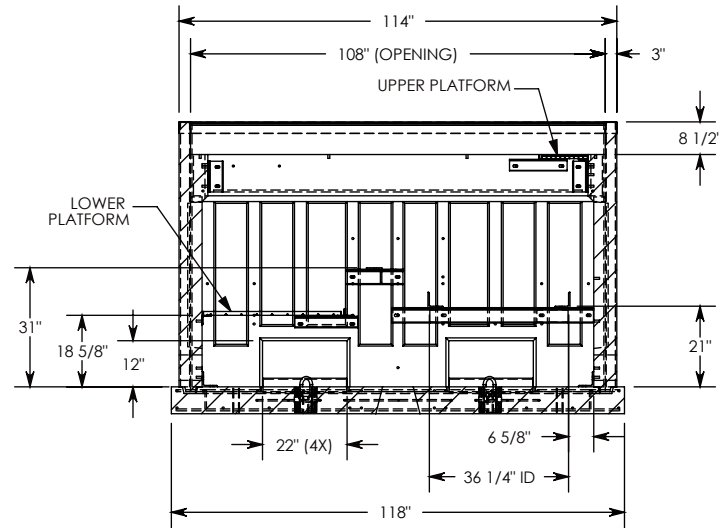
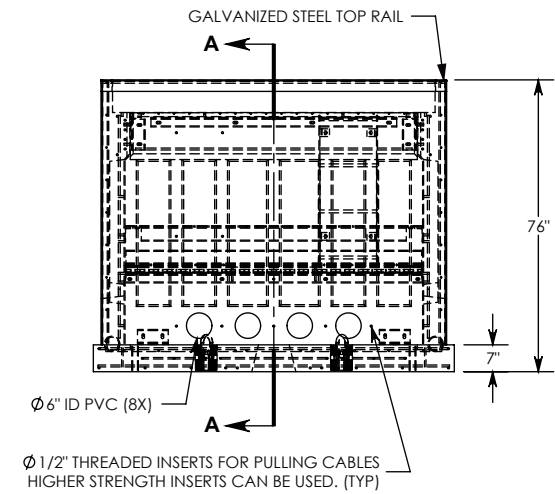
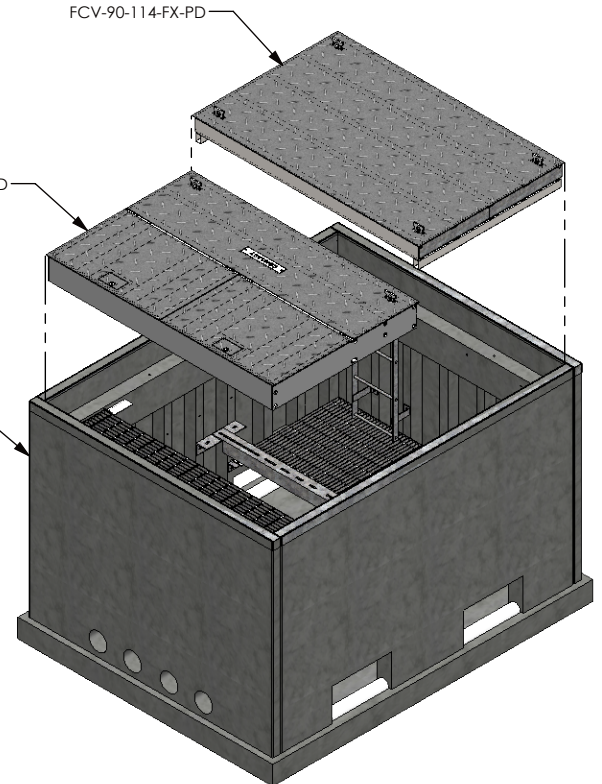
UPPER AND LOWER PLATFORM REMOVED FROM THIS VIEW.

SWITCHGEAR SUPPORT - 3/8" ANGLE (TYP) ADJUSTABLE TO FIT 2, 3, & 4 WAY UNITS. WILL ALSO FIT THE VISTA R1 MODELS.



SECTION B-B

VAULT PACKAGE BILL OF MATERIALS (BOM)		
PART NUMBER	DESCRIPTION	QTY
FCVP-90-114-76-N	VAULT WITH STAINLESS STEEL HARDWARE (HKIT-90-114-SS)	1
FCV-90-114-FX-PD	FIXED STEEL COVER WITH STD. DECK PLATE	1
FCV-90-114-SA-LK-PD	SPRING-ASSISTED STEEL COVER WITH STD. DECK PLATE	1



SECTION A-A

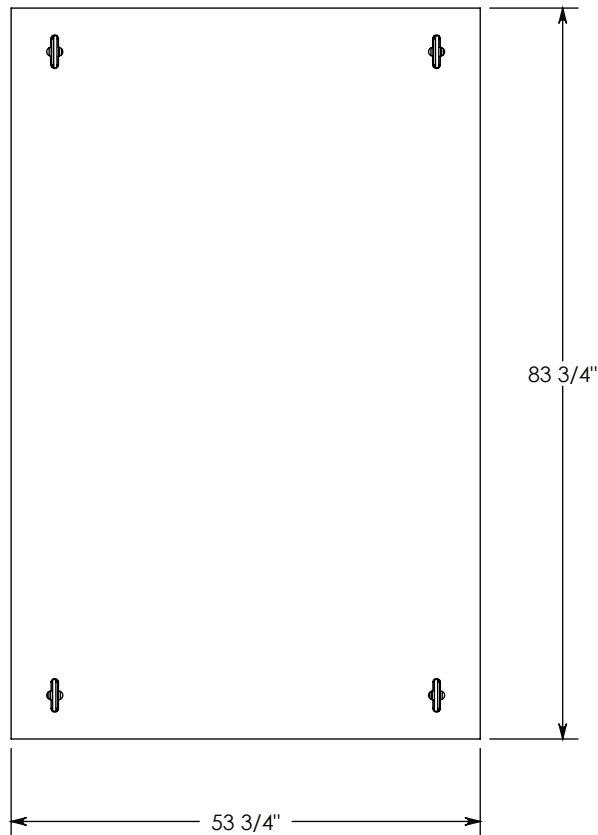
- NOTES:
1. VAULT BASE AND WALLS MEET AASHTO H-20 HEAVY EQUIPMENT REQUIREMENT 32,000 LB. AXLE LOAD. OVERALL VAULT RATING DEPENDENT ON COVERS.
  2. DESIGNED PER S & C PULL BOX SPECIFICATIONS DATA SHEET 681-51. INCLUDING ALL OPTIONAL INTERIOR STEEL HARDWARE.
  3. ALL INTERNAL HARDWARE IS STAINLESS STEEL.
  4. VAULT COMES PRE-ASSEMBLED WITH COVERS REMOVED FOR EASY INSTALLATION OF YOUR SWITCHGEAR.
  5. UNIT MUST BE LIFTED VIA THE FOUR CAST-IN, DROP RING LIFTING DEVICES SHOWN.
  6. LISTED WEIGHT IS THE ASSEMBLED VAULT WITH THE COVER.

DRAWN BY: <b>JESSE GUTTING</b>	
CREATED DATE: <b>10/20/2009</b>	REVISION LEVEL: <b>0</b>
SAVED DATE: <b>3/23/2020</b>	SAVED BY: <b>jgutting</b>
WEIGHT: <b>18279 LBS.</b>	MATERIAL: <b>NOTED</b>

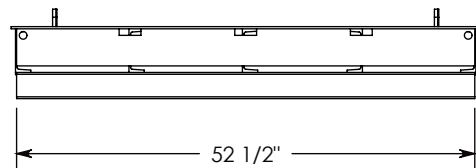
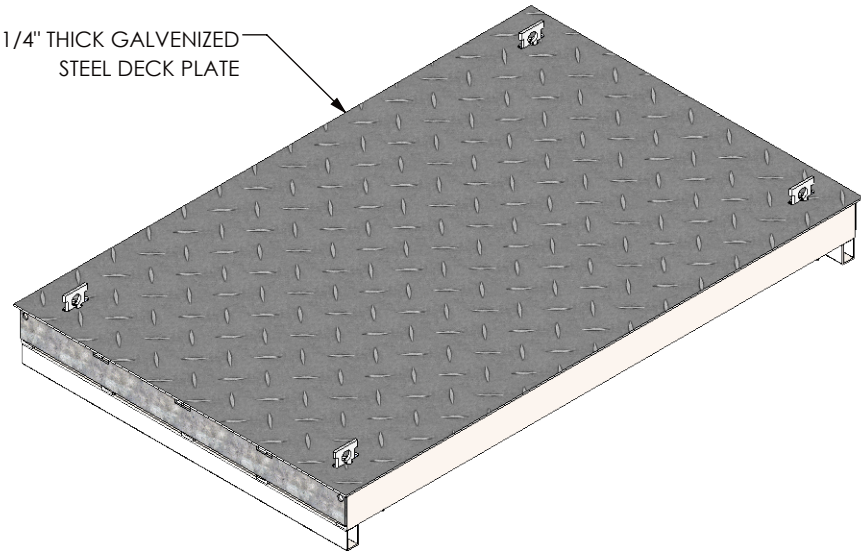


1010 NORTH STAR DRIVE  
P.O. BOX 69  
ZUMBROTA, MN 55992-0069

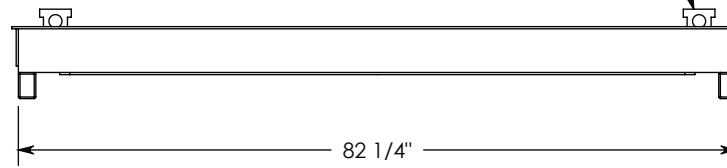
DESCRIPTION: <b>PRECAST CONCRETE VAULT</b>		SHEET 1 OF 3
DIMENSIONS ARE IN INCHES TOLERANCES: FRACTIONAL: ± 1/8" ANGULAR: ± 2°	CONTACT INFORMATION: EMAIL: <a href="mailto:INFO@CONCASTINC.COM">INFO@CONCASTINC.COM</a> PHONE: (507) 732-4095 FAX: (507) 732-4094	
PART NUMBER: <b>FCVP-90-114-76-N</b>		



1/4" THICK GALVENIZED  
STEEL DECK PLATE



LIFT LUG (4X)



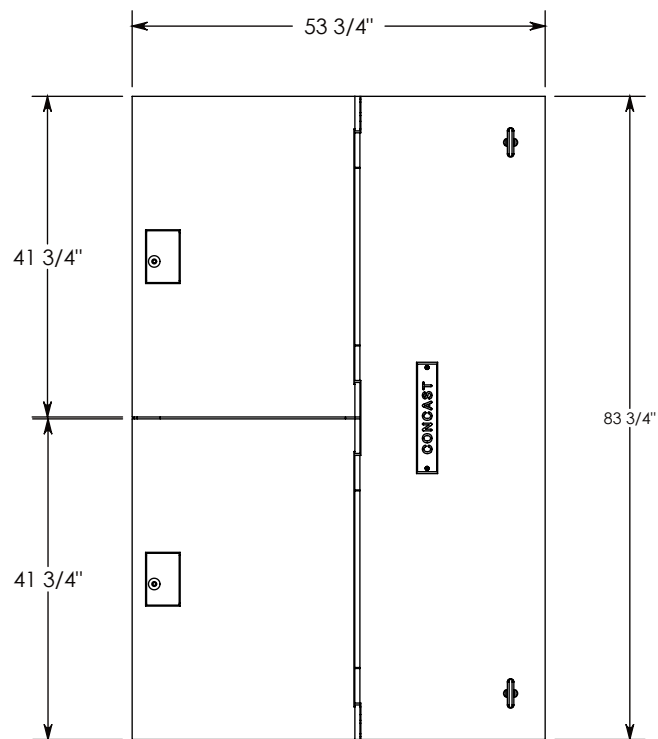
NOTE 1: COVER FITS A 90-114 VAULT (OPENING SIZE = 84" X 108")

PEDESTRIAN RATED - 200 LB. PER SQ. FOOT

DRAWN BY: <b>JESSE GUTTING</b>	
CREATED DATE: <b>10/20/2009</b>	REVISION LEVEL: <b>0</b>
SAVED DATE: <b>3/23/2020</b>	SAVED BY: <b>jgutting</b>
WEIGHT: <b>689 LBS.</b>	MATERIAL: <b>WELDED GALV. STEEL</b>

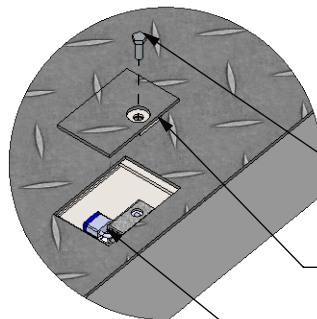

  
 1010 NORTH STAR DRIVE  
 P.O. BOX 69  
 ZUMBROTA, MN 55992-0069

DESCRIPTION: <b>VAULT COVER - FIXED</b>		SHEET 2 OF 3
DIMENSIONS ARE IN INCHES TOLERANCES: FRACTIONAL: ± 1/8" ANGULAR: ± 2°	CONTACT INFORMATION: EMAIL: INFO@CONCASTINC.COM PHONE: (507) 732-4095 FAX: (507) 732-4094	
PART NUMBER: <b>FCV-90-114-FX-PD</b>		



1/4" THICK GALVANIZED  
STEEL TREADPLATE

DETAIL A  
SCALE 1 : 12



SPRING ASSISTED  
HINGED DOOR (2X)

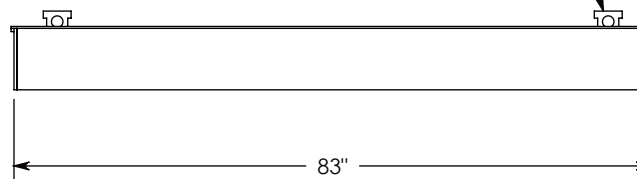
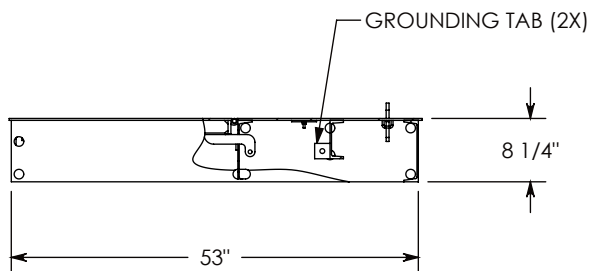
ID PLATE "CONCAST"  
P/N: LTR-ID

PENTA HEAD BOLT (2X)  
P/N: PTA.5-1.5

STEEL ACCESS COVER  
P/N: AC-01

PADLOCK SUPPLIED  
BY OTHERS

LIFT LUG (2X)



NOTE 1: COVER FITS A 90-114 VAULT (OPENING SIZE = 84" X 108" )

PEDESTRIAN RATED - 200 LB. PER SQ. FOOT

DRAWN BY: **JESSE GUTTING**

CREATED DATE: **10/20/2009** REVISION LEVEL: **0**

SAVED DATE: **3/23/2020** SAVED BY: **jgutting**

WEIGHT: **693 LBS.** MATERIAL: **WELDED GALV. STEEL**

**CONCAST**  
1010 NORTH STAR DRIVE  
P.O. BOX 69  
ZUMBROTA, MN 55992-0069

DESCRIPTION:  
**VAULT COVER - HINGED**

DIMENSIONS ARE IN INCHES  
TOLERANCES:  
FRACTIONAL: ± 1/8"  
ANGULAR: ± 2°

CONTACT INFORMATION:  
EMAIL: [INFO@CONCASTINC.COM](mailto:INFO@CONCASTINC.COM)  
PHONE: (507) 732-4095  
FAX: (507) 732-4094

SHEET 3 OF 3

PART NUMBER:  
**FCV-90-114-SA-LK-PD**