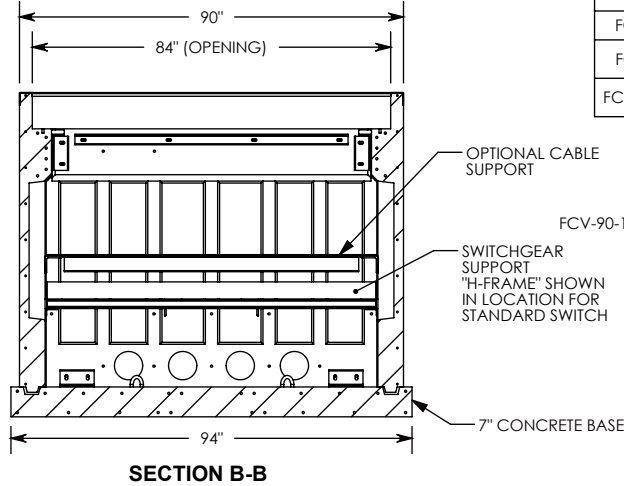
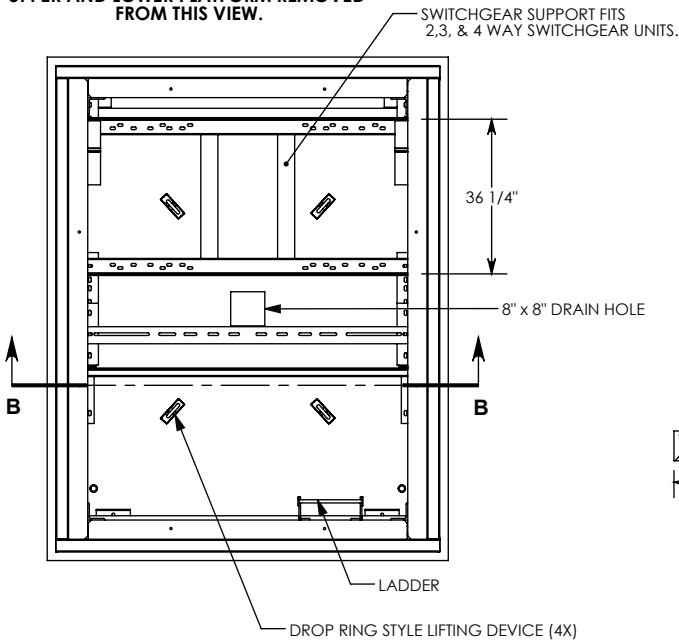
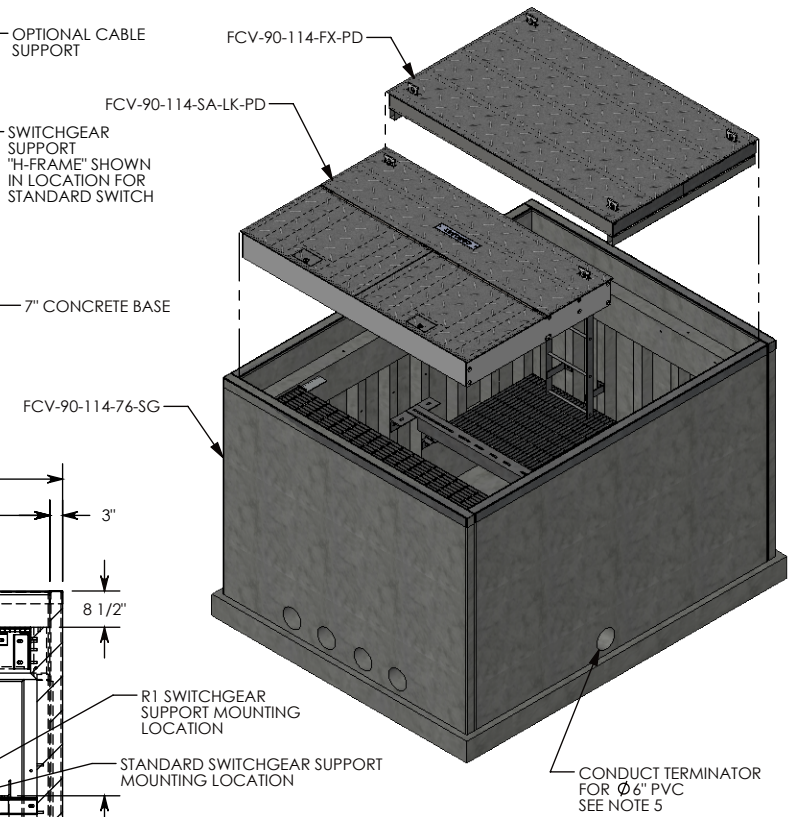


UPPER AND LOWER PLATFORM REMOVED FROM THIS VIEW.

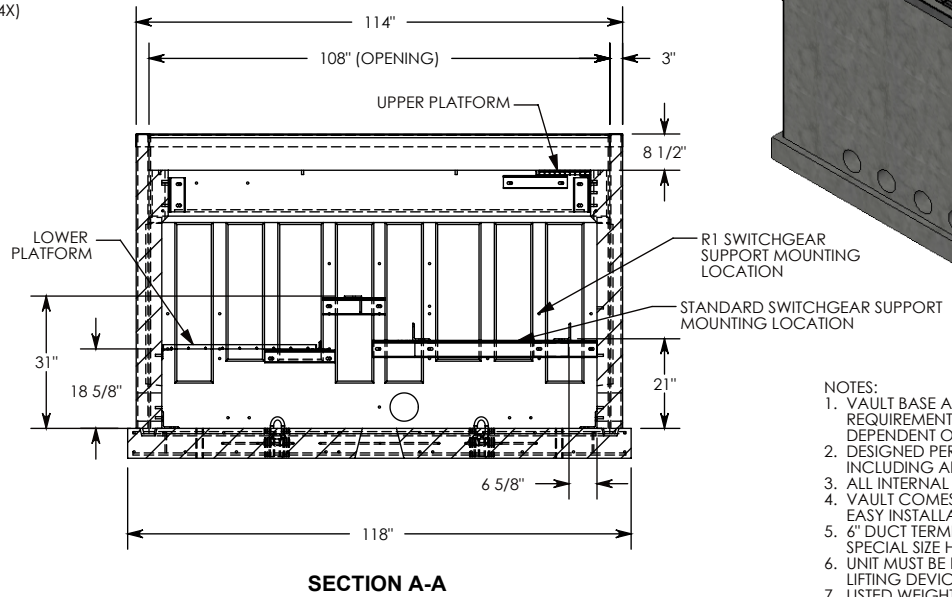
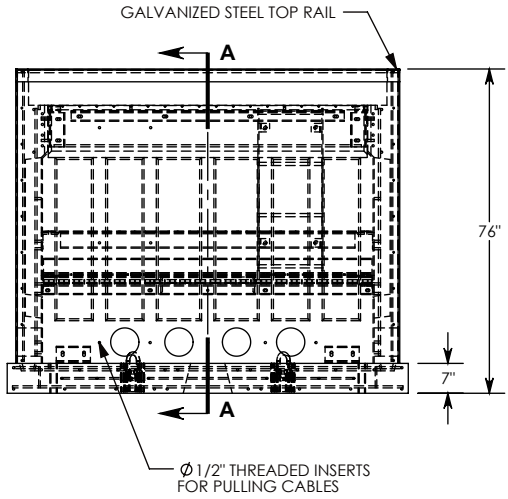


VAULT PACKAGE BILL OF MATERIALS (BOM)

PART NUMBER	DESCRIPTION	QTY
FCV-90-114-76-SG	VAULT WITH GALVANIZED STEEL HARDWARE	1
FCV-90-114-FX-PD	FIXED STEEL COVER WITH STD. DECK PLATE	1
FCV-90-114-SA-LK-PD	SPRING-ASSISTED STEEL COVER WITH STD. DECK PLATE & PADLOCK PROVISION	1



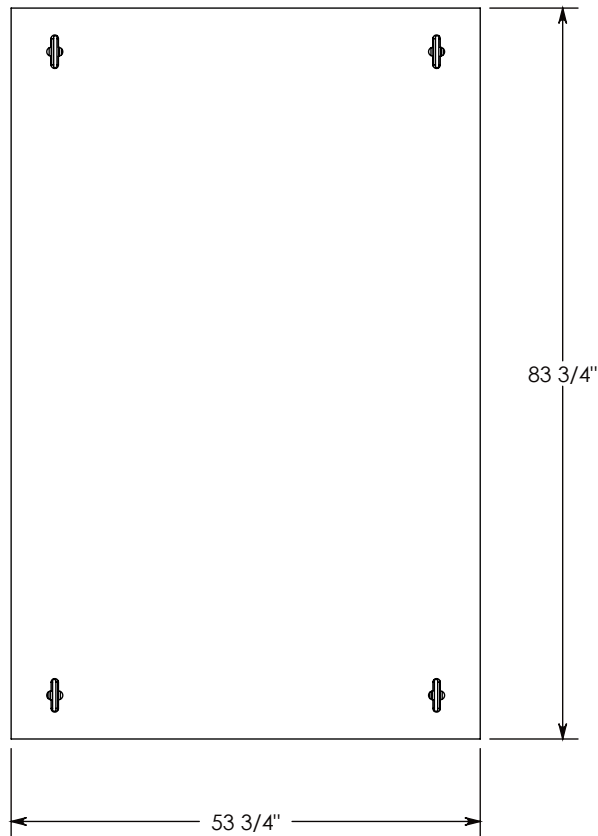
- NOTES:
1. VAULT BASE AND WALLS MEET AASHTO H-20 HEAVY EQUIPMENT REQUIREMENT 32,000 LB. AXLE LOAD. OVERALL VAULT RATING DEPENDENT ON COVERS.
 2. DESIGNED PER S & C PULL BOX SPECIFICATIONS DATA SHEET 681-51. INCLUDING ALL OPTIONAL INTERIOR STEEL HARDWARE.
 3. ALL INTERNAL HARDWARE IS GALVANIZED STEEL.
 4. VAULT COMES PRE-ASSEMBLED WITH COVERS REMOVED FOR EASY INSTALLATION OF YOUR SWITCHGEAR.
 5. 6" DUCT TERMINATORS CAST INTO THE WALLS ARE TYPICAL, BUT ANY SPECIAL SIZE HOLES OR KNOCKOUTS CAN BE ORDERED.
 6. UNIT MUST BE LIFTED VIA THE FOUR CAST-IN, DROP RING LIFTING DEVICES SHOWN.
 7. LISTED WEIGHT IS THE ASSEMBLED VAULT WITH THE COVERS.



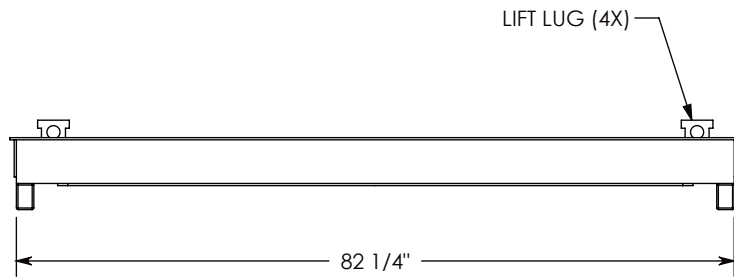
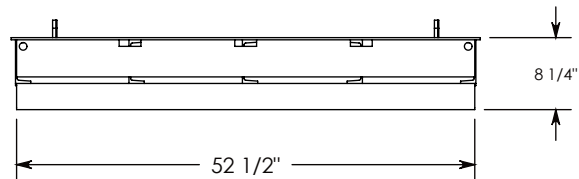
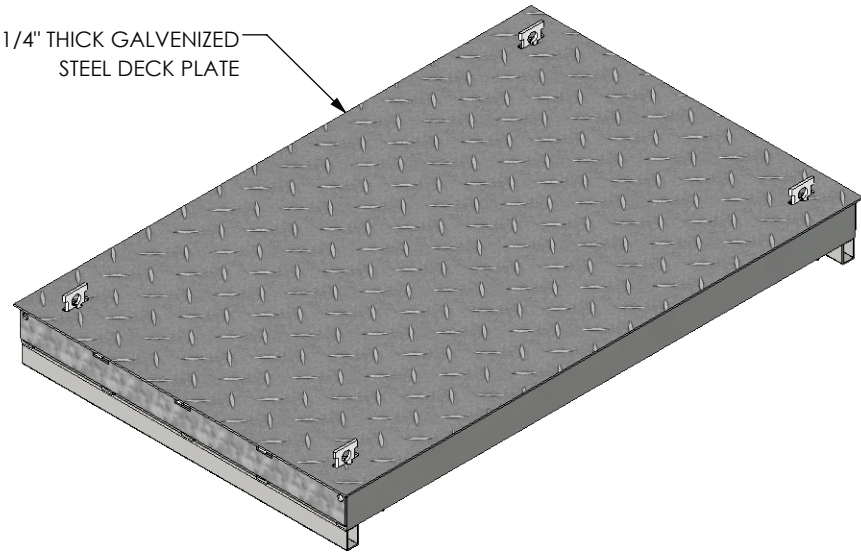
DRAWN BY: JESSE GUTTING	
CREATED DATE: 10/20/2009	REVISION LEVEL: 0
SAVED DATE: 3/24/2020	SAVED BY: jgutting
WEIGHT: 18779 LBS.	MATERIAL: NOTED

CONCAST
1010 NORTH STAR DRIVE
P.O. BOX 69
ZUMBROTA, MN 55992-0069

DESCRIPTION: PRECAST CONCRETE VAULT		SHEET 1 OF 3
DIMENSIONS ARE IN INCHES TOLERANCES: FRACTIONAL: ± 1/8" ANGULAR: ± 2°	CONTACT INFORMATION: EMAIL: INFO@CONCASTINC.COM PHONE: (507) 732-4095 FAX: (507) 732-4094	
PART NUMBER: FCVP-90-114-76-SG2		



1/4" THICK GALVENIZED
STEEL DECK PLATE



NOTE 1: COVER FITS A 90-114 VAULT (OPENING SIZE = 84" X 108")

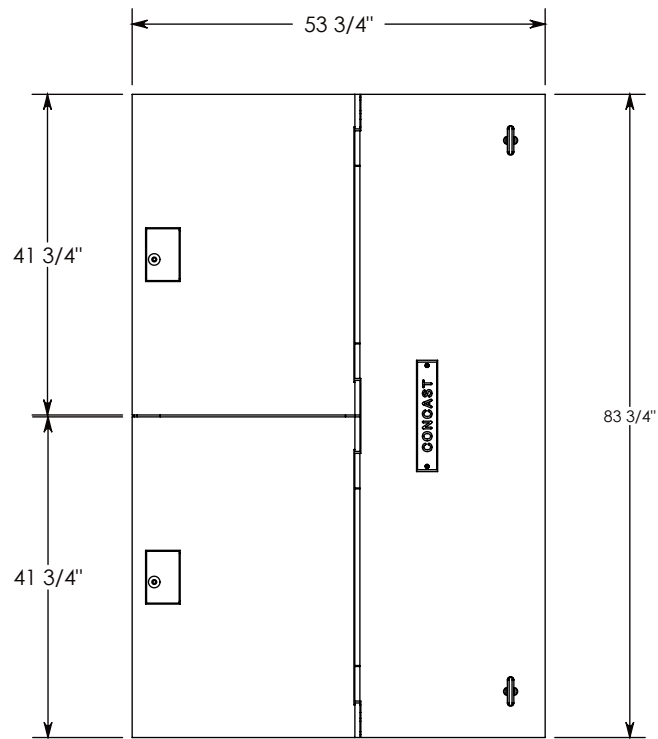
PEDESTRIAN RATED - 200 LB. PER SQ. FOOT

DRAWN BY: JESSE GUTTING	
CREATED DATE: 10/20/2009	REVISION LEVEL: 0
SAVED DATE: 3/24/2020	SAVED BY: jgutting
WEIGHT: 689 LBS.	MATERIAL: WELDED GALV. STEEL



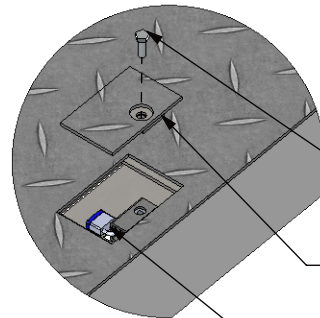
1010 NORTH STAR DRIVE
P.O. BOX 69
ZUMBROTA, MN 55992-0069

DESCRIPTION: VAULT COVER - FIXED		SHEET 2 OF 3
DIMENSIONS ARE IN INCHES TOLERANCES: FRACTIONAL: ± 1/8" ANGULAR: ± 2°	CONTACT INFORMATION: EMAIL: INFO@CONCASTINC.COM PHONE: (507) 732-4095 FAX: (507) 732-4094	
PART NUMBER: FCV-90-114-FX-PD		



1/4" THICK GALVANIZED
STEEL TREADPLATE

DETAIL C
SCALE 1 : 12



SPRING ASSISTED
HINGED DOOR (2X)

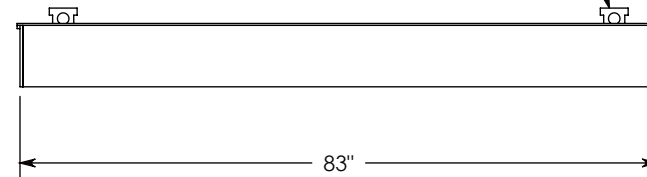
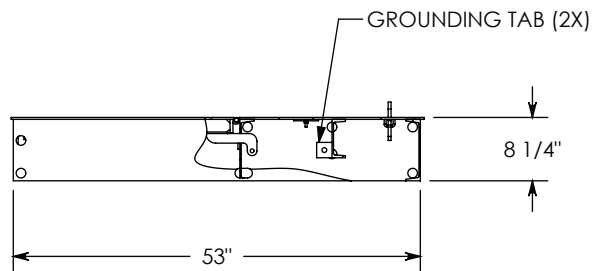
ID PLATE "CONCAST"
P/N: LTR-ID

PENTA HEAD BOLT (2X)
P/N: PTA.5-1.5

STEEL ACCESS COVER
P/N: AC-01

PADLOCK SUPPLIED
BY OTHERS

LIFT LUG (2X)



NOTE 1: COVER FITS A 90-114 VAULT (OPENING SIZE = 84" X 108")

PEDESTRIAN RATED - 200 LB. PER SQ. FOOT

DRAWN BY: JESSE GUTTING	
CREATED DATE: 10/20/2009	REVISION LEVEL: 0
SAVED DATE: 3/24/2020	SAVED BY: jgutting
WEIGHT: 693 LBS.	MATERIAL: WELDED GALV. STEEL



CONCAST
1010 NORTH STAR DRIVE
P.O. BOX 69
ZUMBROTA, MN 55992-0069

DESCRIPTION: VAULT COVER - HINGED		SHEET 3 OF 3
DIMENSIONS ARE IN INCHES TOLERANCES: FRACTIONAL: ± 1/8" ANGULAR: ± 2°	CONTACT INFORMATION: EMAIL: INFO@CONCASTINC.COM PHONE: (507) 732-4095 FAX: (507) 732-4094	
PART NUMBER: FCV-90-114-SA-LK-PD		