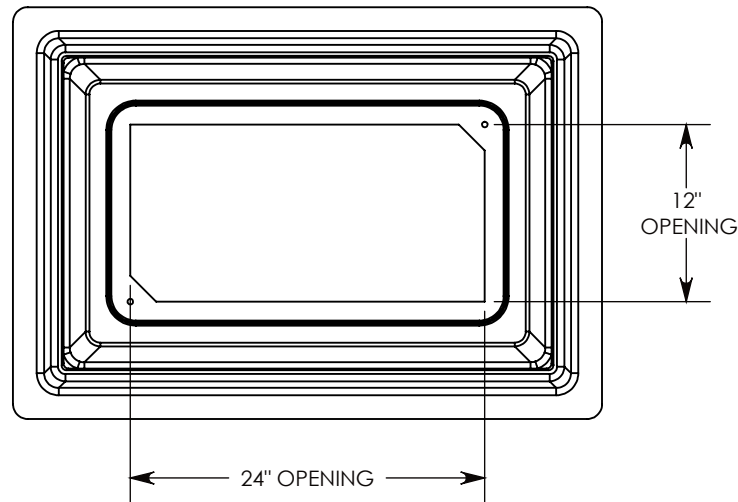


FIBERCRETE[®]



3/8"-16 UNC X 2-1/2" LG PENTA HD BOLT
P/N: PTA.38-2.5 (2X)
SEE NOTE 1

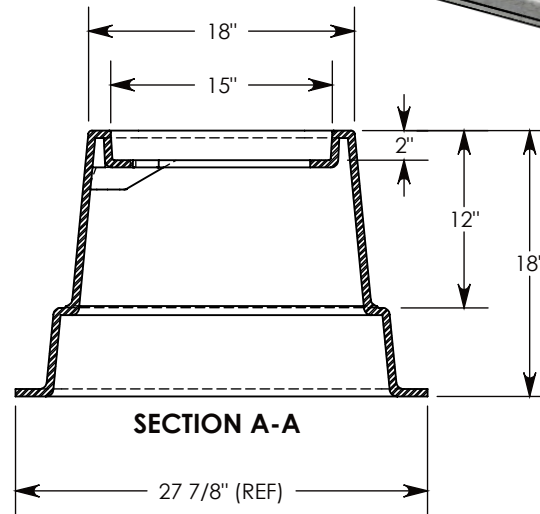
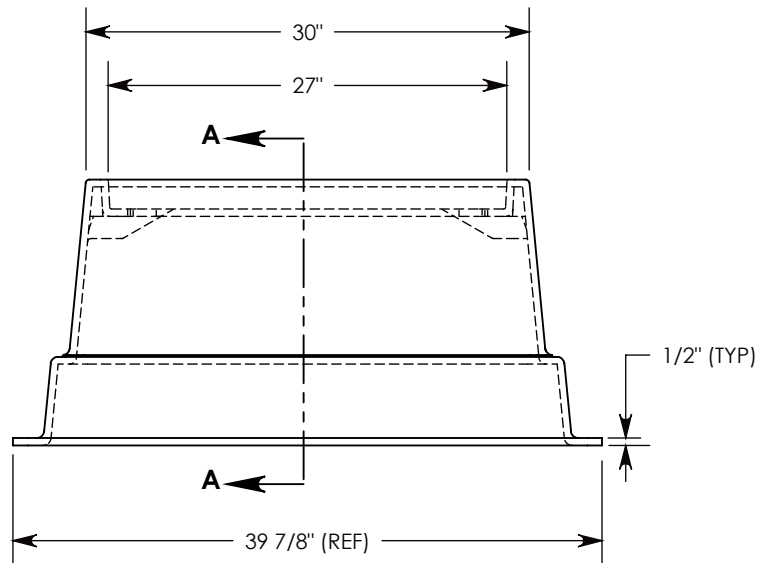
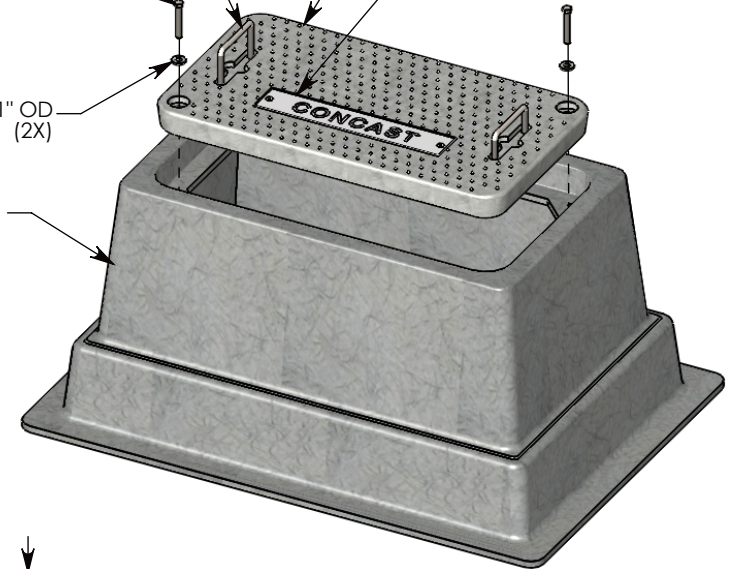
3/8" SS WASHER - 1" OD
P/N: WSR.38-1-SS (2X)

STEEL & FIBER
REINFORCED
CONCRETE

LIFTING RING (2X)

P/N: 18-30-FH
FIBERCRETE COVER ~64 LBS.
SHOWN IN THIS VIEW ONLY

"CONCAST" ID PLATE



NOTE 1: FOR ADDED SECURITY, REPLACE PENTAHEAD BOLTS WITH SURELOCK BOLTS & ORDER UNIT UNDER P/N: FHSL-18-30-18

PEDESTRIAN RATED - 200 LB. PER SQ. FOOT

DRAWN BY: ROBIN FLINT

DATE: 10/11/2013

REVISION LEVEL: 0

WEIGHT:

156 LBS. W/COVER

MATERIAL:

FIBERCRETE



1010 NORTH STAR DRIVE
P.O. BOX 69
ZUMBROTA, MN 55992-0069

DESCRIPTION:

FIBERCRETE HANDHOLE

DIMENSIONS ARE IN INCHES

TOLERANCES:
FRACTIONAL: ± 1/8"
ANGULAR: ± 2°

CONTACT INFORMATION:
EMAIL: INFO@CONCASTINC.COM
PHONE: (507) 732-4095
FAX: (507) 732-4094

SHEET 1 OF 1

PART NUMBER:

FH-18-30-18