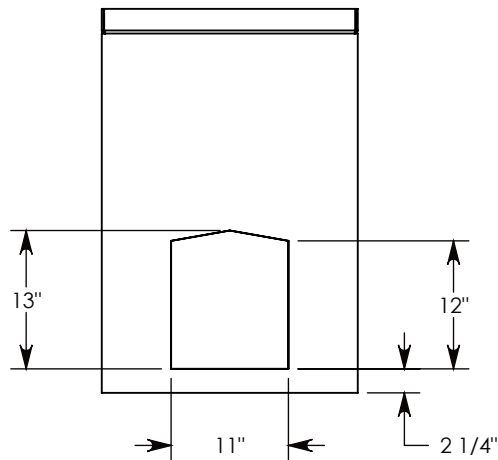
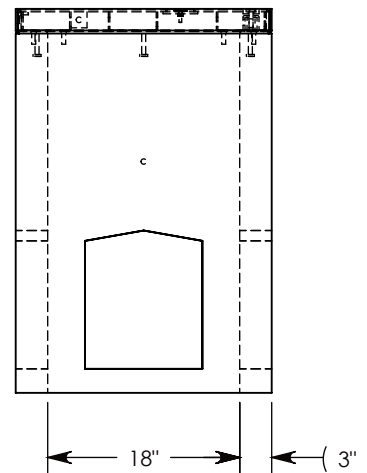


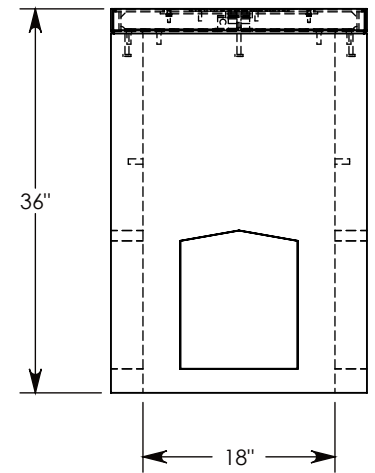
SIDE "A" (HLR)



SIDE "B" (HLR)



SIDE "C"



SIDE "D"

NOTE 1: FOR ADDED SECURITY, REPLACE PENTA HEAD BOLTS WITH SURELOCK BOLTS AND ORDER UNDER P/N: FHRSLFV-24-24-36

AASHTO H-20 RATED – 32,000 LB. SINGLE AXLE LOAD

DRAWN BY: <b>JESSE GUTTING</b>	
CREATED DATE: <b>10/25/2019</b>	REVISION LEVEL: <b>A</b>
SAVED DATE: <b>4/21/2020</b>	SAVED BY: <b>jgutting</b>
WEIGHT: <b>652 LBS.</b>	MATERIAL: <b>NOTED</b>

1010 NORTH STAR DRIVE  
P.O. BOX 69  
ZUMBROTA, MN 55992-0069

DESCRIPTION: <b>HEAVY TRAFFIC HANDHOLE</b>		SHEET 1 OF 1
DIMENSIONS ARE IN INCHES TOLERANCES: FRACTIONAL: ± 1/8" ANGULAR: ± 2°	CONTACT INFORMATION: EMAIL: <a href="mailto:INFO@CONCASTINC.COM">INFO@CONCASTINC.COM</a> PHONE: (507) 732-4095 FAX: (507) 732-4094	
PART NUMBER: <b>FHRFV-24-24-36</b>		