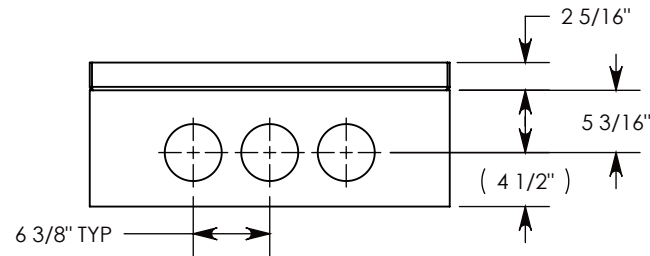
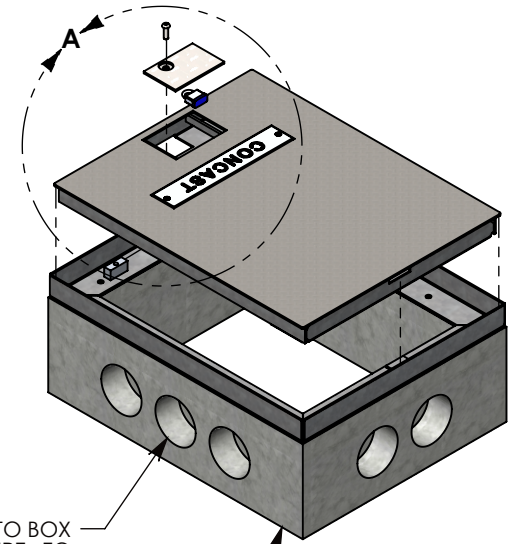
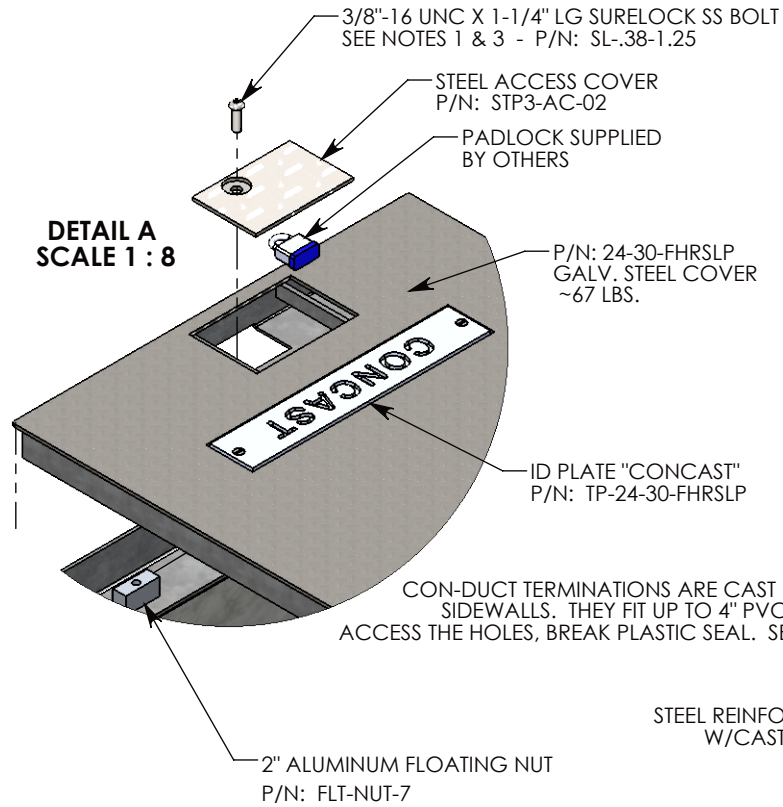
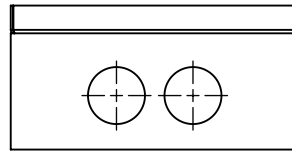


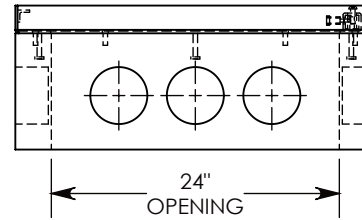
**DETAIL A**  
SCALE 1 : 8



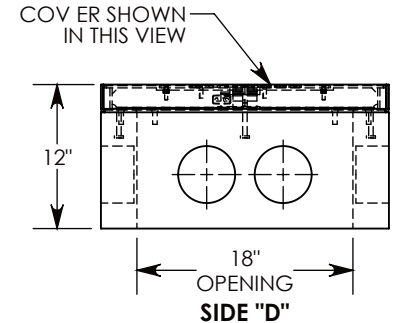
**SIDE "A" (HLR)**



**SIDE "B" HLR**



**SIDE "C"**



**NOTE 1:** CUSTOM KEYPED FOR LOCKING THE ACCESS COVER. SURELOCK BOLT CAN ONLY BE REMOVED BY USING THE CONCAST SUPPLIED TOOL. P/N: 8000SL

**NOTE 2:** FOR PVC SIZES SMALLER THAN 4", USE CONCAST RC41 (REDUCING COUPLER).

**NOTE 3:** THE SURELOCK BOLT CAN BE REPLACED WITH A PENTA HEAD (PTA-.38-1.5) AND ORDERED UNDER P/N: FHRPP-24-30-12

AASHTO H-20 RATED - 32,000 LB. SINGLE AXLE LOAD

**DRAWN BY: TOM JANSEN**

**CREATED DATE: 3/29/2010** **REVISION LEVEL: A**

**SAVED DATE: 6/22/2020** **SAVED BY: tjansen**

**WEIGHT: 284 LBS.** **MATERIAL: NOTED**

**CONCAST**  
1010 NORTH STAR DRIVE  
P.O. BOX 69  
ZUMBROTA, MN 55992-0069

**DESCRIPTION:**

**HEAVY TRAFFIC HANDHOLE**

DIMENSIONS ARE IN INCHES  
TOLERANCES:  
FRACTIONAL:  $\pm 1/8"$   
ANGULAR:  $\pm 2^\circ$

CONTACT INFORMATION:  
EMAIL: INFO@CONCASTINC.COM  
PHONE: (507) 732-4095  
FAX: (507) 732-4094

SHEET 1 OF 1

**PART NUMBER:**

**FHRSLP-24-30-12**