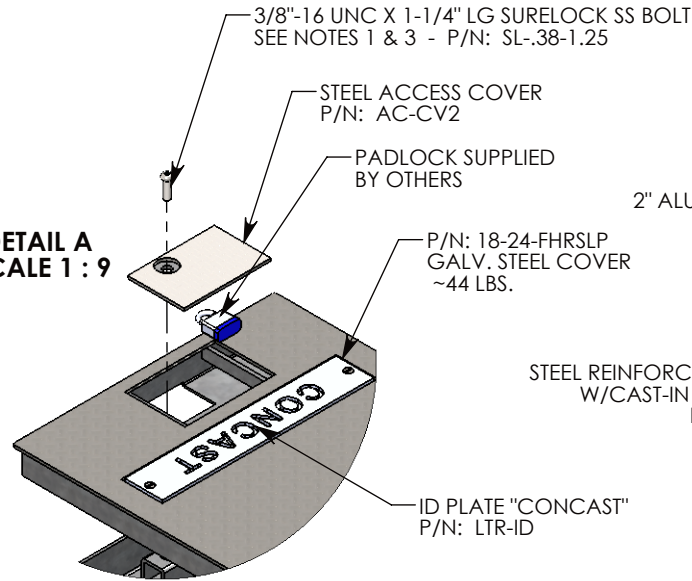


**DETAIL A  
SCALE 1 : 9**



STEEL ACCESS COVER  
P/N: AC-CV2

PADLOCK SUPPLIED  
BY OTHERS

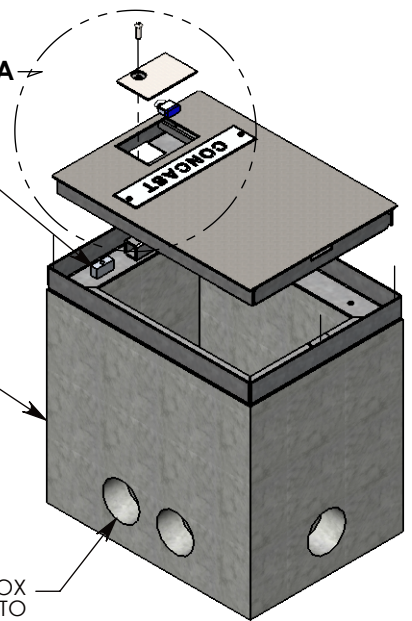
P/N: 18-24-FHRSLP  
GALV. STEEL COVER  
~44 LBS.

2" ALUMINUM FLOATING NUT  
P/N: FLT-NUT-7

STEEL REINFORCED CONCRETE BASE  
W/CAST-IN GALV. STEEL FRAME  
P/N: FHR-18-24-24-R

ID PLATE "CONCAST"  
P/N: LTR-ID

CON-DUCT TERMINATIONS ARE CAST INTO BOX  
SIDEWALLS. THEY FIT UP TO 4" PVC PIPE. TO  
ACCESS THE HOLES, BREAK PLASTIC SEAL. SEE NOTE 2.



**NOTE 1:** CUSTOM KEYED FOR LOCKING THE ACCESS COVER. SURELOCK BOLT CAN ONLY  
BE REMOVED BY USING THE CONCAST SUPPLIED TOOL P/N: 8000SL

**NOTE 2:** FOR PVC SIZES SMALLER THAN 4", USE CONCAST RC41 (REDUCING COUPLER)

**NOTE 3:** TO REPLACE SURELOCK BOLT WITH PENTA HEAD BOLT (P/N: PTA.38-1.5) ORDER UNDER PART NUMBER FHRPP-18-24-24

AASHTO H-20 RATED – 32,000 LB. SINGLE AXLE LOAD

<b>DRAWN BY: JESSE GUTTING</b>	
<b>CREATED DATE: 3/29/2010</b>	<b>REVISION LEVEL: 0</b>
<b>SAVED DATE: 10/24/2019</b>	<b>SAVED BY: JGUTTING</b>
<b>WEIGHT: 428 LBS.</b>	<b>MATERIAL: NOTED</b>

1010 NORTH STAR DRIVE  
P.O. BOX 69  
ZUMBROTA, MN 55992-0069

<b>DESCRIPTION:</b>	
<b>HEAVY TRAFFIC HANDHOLE</b>	
DIMENSIONS ARE IN INCHES	CONTACT INFORMATION:
TOLERANCES:	EMAIL: INFO@CONCASTINC.COM
FRACTIONAL: ± 1/8"	PHONE: (507) 732-4095
ANGULAR: ± 2°	FAX: (507) 732-4094
<b>PART NUMBER:</b>	
<b>FHRSLP-18-24-24</b>	