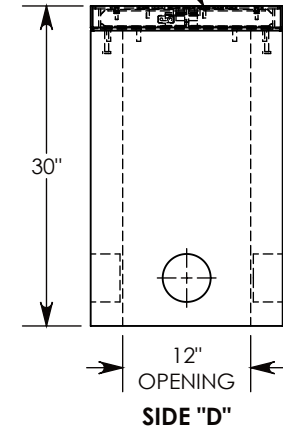
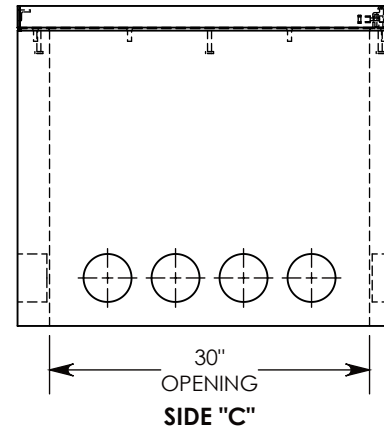
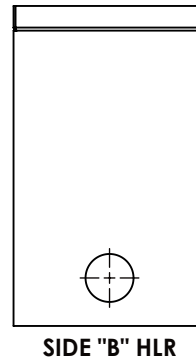
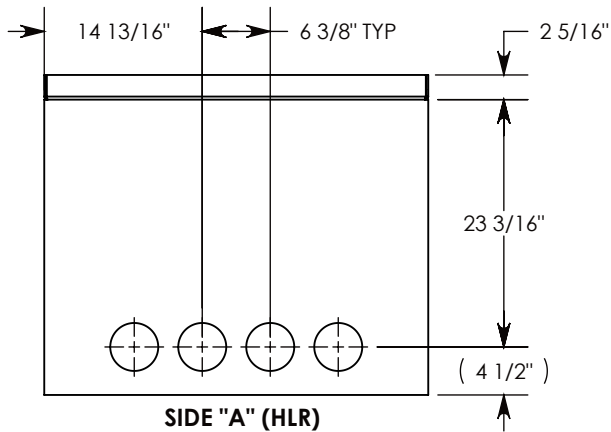
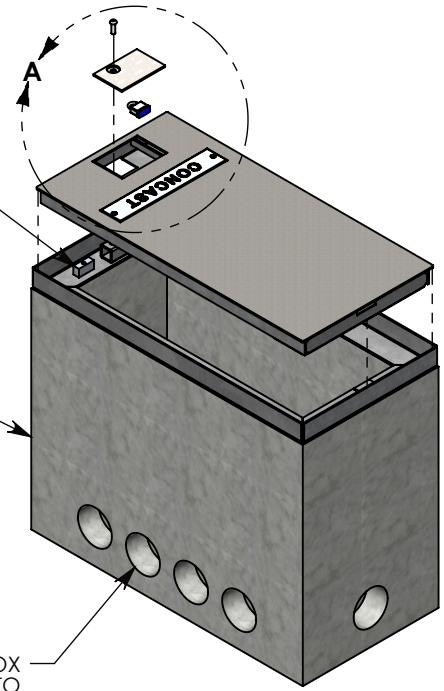
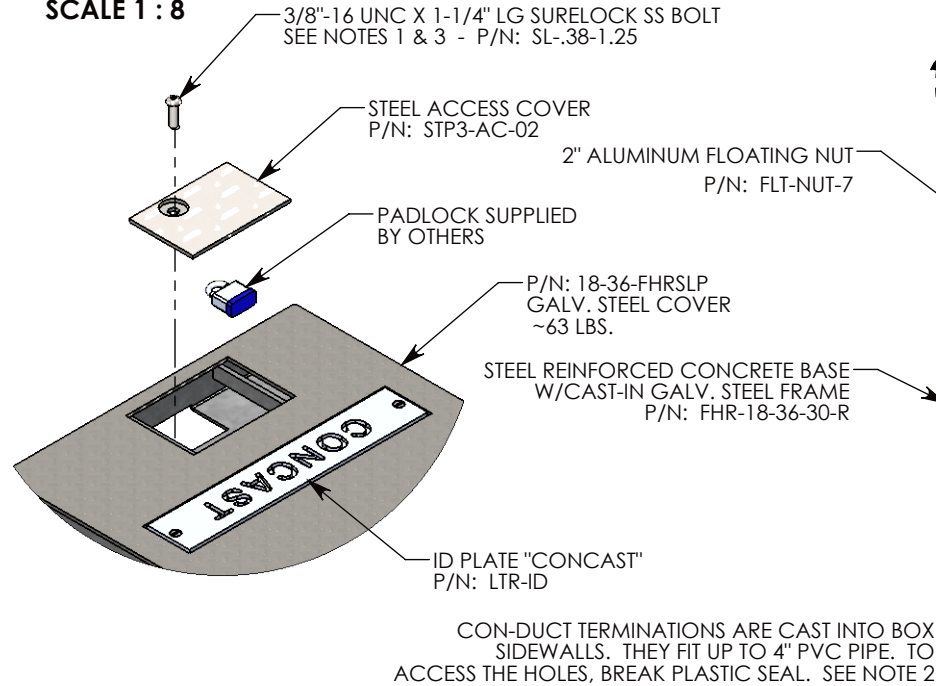


**DETAIL A
SCALE 1 : 8**



NOTE 1: CUSTOM KEYED FOR LOCKING THE ACCESS COVER. SURELOCK BOLT CAN ONLY BE REMOVED BY USING THE CONCAST SUPPLIED TOOL. P/N: 8000SL

NOTE 2: FOR PVC SIZES SMALLER THAN 4", USE CONCAST RC41 (REDUCING COUPLER).

NOTE 3: THE SURELOCK BOLT CAN BE REPLACED WITH A PENTA HEAD (PTA-38-1.5) AND ORDERED UNDER P/N: FHRPP-18-36-30

AASHTO H-20 RATED - 32,000 LB. SINGLE AXLE LOAD

DRAWN BY: TOM JANSEN	
CREATED DATE: 3/29/2010	REVISION LEVEL: A
SAVED DATE: 6/17/2020	SAVED BY: tjansen
WEIGHT: 708 LBS.	MATERIAL: NOTED

1010 NORTH STAR DRIVE
P.O. BOX 69
ZUMBROTA, MN 55992-0069

DESCRIPTION:		
HEAVY TRAFFIC HANDHOLE		
DIMENSIONS ARE IN INCHES TOLERANCES: FRACTIONAL: ± 1/8" ANGULAR: ± 2°	CONTACT INFORMATION: EMAIL: INFO@CONCASTINC.COM PHONE: (507) 732-4095 FAX: (507) 732-4094	SHEET 1 OF 1
PART NUMBER:		
FHRSLP-18-36-30		