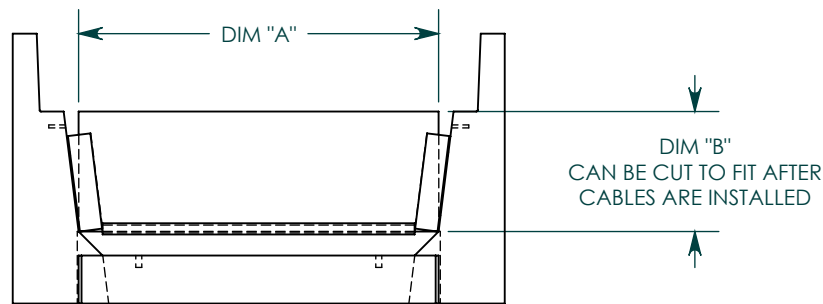
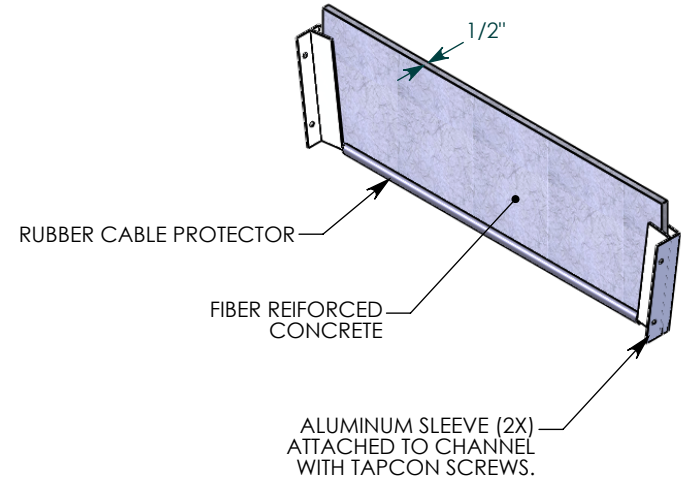
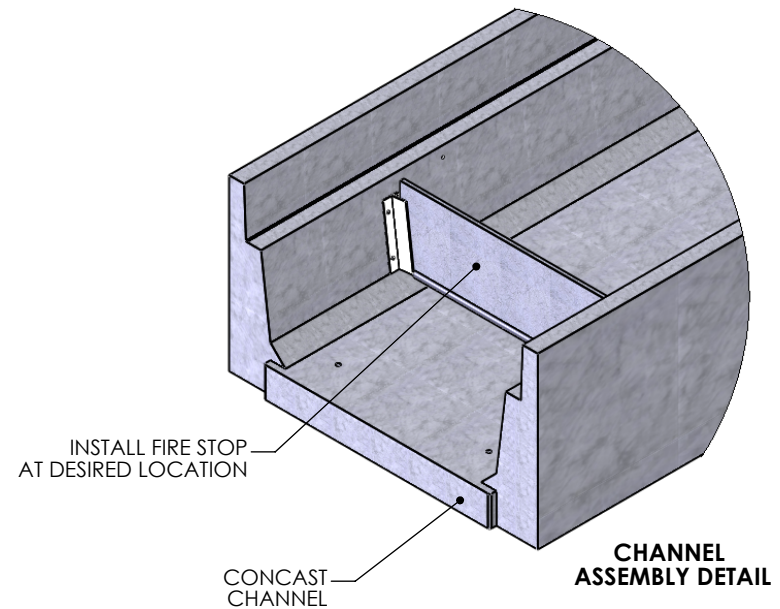


PART NUMBER	CHANNEL WIDTH	CHANNEL DEPTH	DIM "A"	DIM "B"
FS1010	10 IN.	12 IN.	9.5 IN.	10 IN.
FS2010	20 IN.	12 IN.	19.5 IN.	10 IN.
FS2410	24 IN.	12 IN.	23.5 IN.	10 IN.
FS3010	30 IN.	12 IN.	29.5 IN.	10 IN.
FS4010	40 IN.	12 IN.	39.5 IN.	10 IN.
FS5010	50 IN.	12 IN.	49.5 IN.	10 IN.
FS1014	10 IN.	16 IN.	9.5 IN.	14 IN.
FS2014	20 IN.	16 IN.	19.5 IN.	14 IN.
FS2414	24 IN.	16 IN.	23.5 IN.	14 IN.
FS3014	30 IN.	16 IN.	29.5 IN.	14 IN.
FS4014	40 IN.	16 IN.	39.5 IN.	14 IN.
FS5014	50 IN.	16 IN.	49.5 IN.	14 IN.
FS1022	10 IN.	24 IN.	9.5 IN.	22 IN.
FS2022	20 IN.	24 IN.	19.5 IN.	22 IN.
FS2422	24 IN.	24 IN.	23.5 IN.	22 IN.
FS3022	30 IN.	24 IN.	29.5 IN.	22 IN.
FS4022	40 IN.	24 IN.	39.5 IN.	22 IN.
FS5022	50 IN.	24 IN.	49.5 IN.	22 IN.

FIBERCRETE®



END VIEW



NOTES:
 DRILL CHANNEL AT DESIRED LOCATIONS FOR TAPCON SCREW INSTALLATION.
 OPEN SPACES AROUND THE STOP CAN BE FILLED WITH EXPANDING FOAM.
 EACH FIRE STOP KIT INCLUDES A SHEET OF FIBERCRETE, A RUBBER CABLE PROTECTOR, 2 ALUMINUM SLEEVES, & 4 TAPCON SCREWS.

DRAWN BY: ROBIN LEWIS

DATE: 5/24/2011

REVISION LEVEL: 0

WEIGHT:

-- LBS.

MATERIAL:

NOTED



DESCRIPTION:

GENERIC FIRE STOP DRAWING

DIMENSIONS ARE IN INCHES
 TOLERANCES:
 FRACTIONAL: ± 1/8"
 ANGULAR: ± 2°

CONTACT INFORMATION:
 EMAIL: INFO@CONCASTINC.COM
 PHONE: (507) 732-4095
 FAX: (507) 732-4094

SHEET 1 OF 1

PART NUMBER:

FIRE_STOP