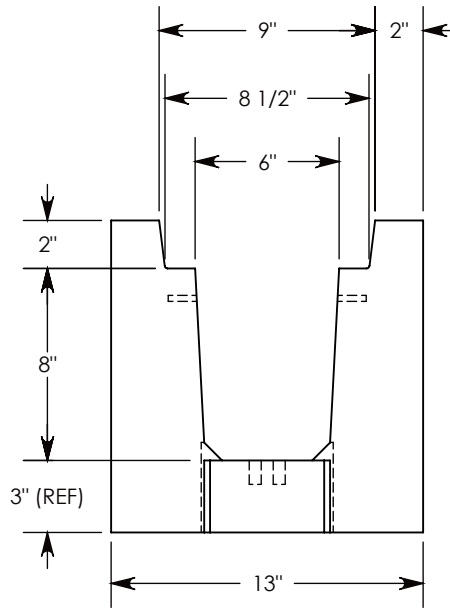
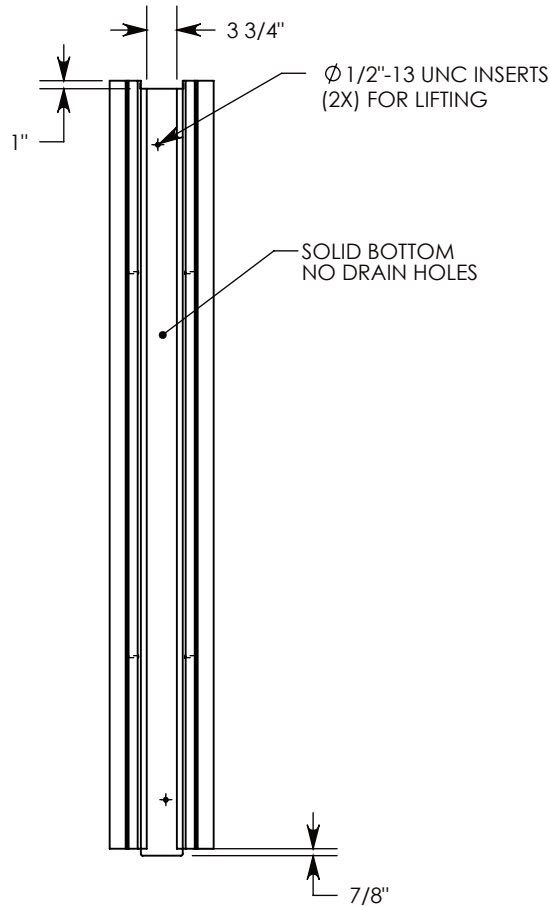
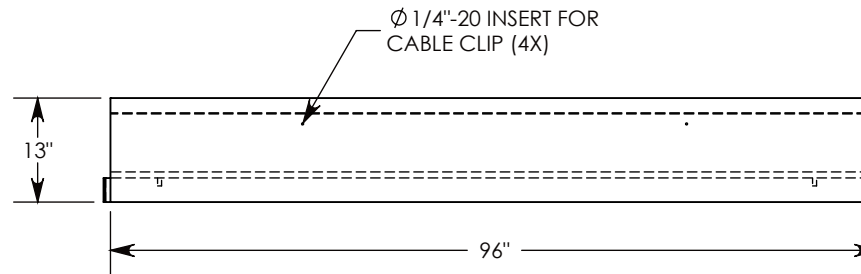
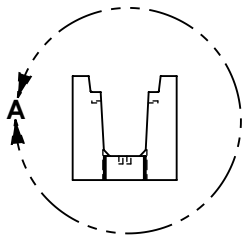
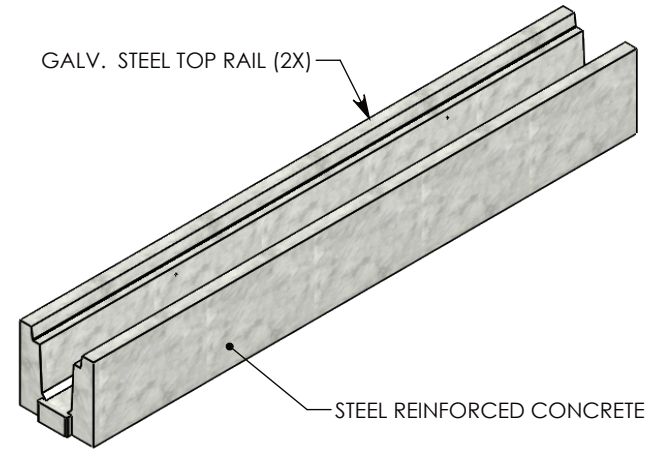


**FIBERCRETE<sup>®</sup>**  
**TRENCH**  
**SYSTEM**



**DETAIL A**  
**SCALE 1 : 8**



**NOTE 1:** FOR NON-STANDARD LENGTHS THE CHANNEL WILL BE SOLID BOTTOM AND DESIGNATED WITH ITS CORRESPONDING LENGTH MEASUREMENT. IE: HT0608 32"

MAX H-40 RATED - 64,000 LB. PER AXLE LOAD.  
 DEPENDENT ON TRENCH COVER RATING

|                              |                          |   |  |  |
|------------------------------|--------------------------|---|--|--|
| <b>DRAWN BY: ROBIN FLINT</b> |                          | <br>1010 NORTH STAR DRIVE<br>P.O. BOX 69<br>ZUMBROTA, MN 55992-0069 | <b>DESCRIPTION:</b>  |  |
| <b>DATE: 7/15/2017</b>       | <b>REVISION LEVEL: A</b> |   | <b>HEAVY TRAFFIC CHANNEL</b>   |  |
| <b>WEIGHT:</b>               | <b>MATERIAL:</b>         |   | DIMENSIONS ARE IN INCHES<br>TOLERANCES:<br>FRACTIONAL: $\pm 1/8\text{'}$<br>ANGULAR: $\pm 2^\circ$ | CONTACT INFORMATION:<br>EMAIL: INFO@CONCASTINC.COM<br>PHONE: (507) 732-4095<br>FAX: (507) 732-4094 |
| <b>844 LBS.</b>              | <b>CONCRETE</b>          | <b>PART NUMBER:</b>   |  | <b>HT0608SB</b>  |