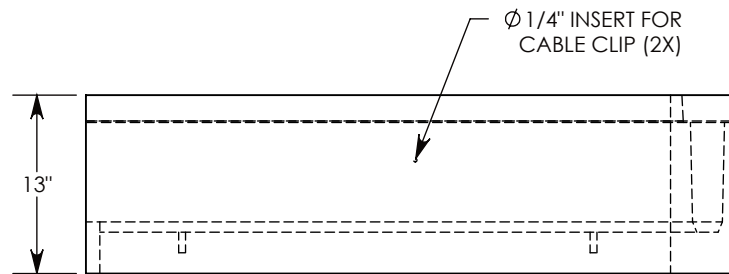
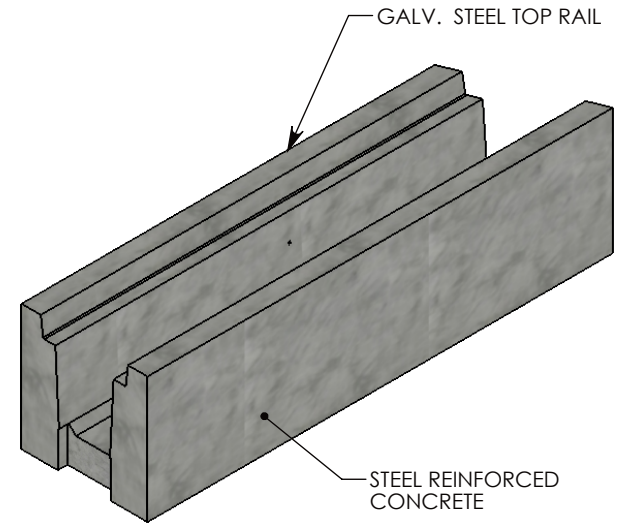
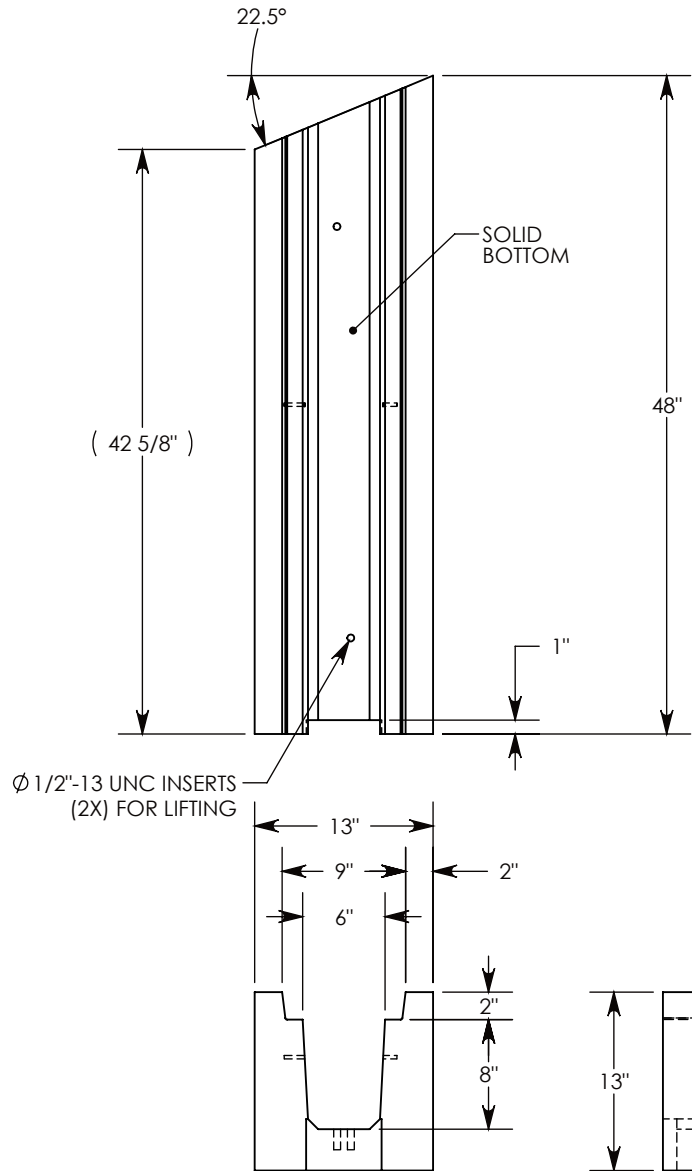


REVISION B - RLF - 6/7/16 - 1" INTERLOCK RELIEF WAS A 7/8" PROTRUSION.



MAX AASHTO H-40 RATED - 64,000 LB. SINGLE AXLE LOAD
 DEPENDENT ON TRENCH COVER RATING
 MINIMUM ALLOWABLE SOIL BEARING PRESSURE - H-40: X,XXX PSF; H-20: X,XXX PSF

NOTE 1: MM#30032856

DRAWN BY: ROBIN FLINT	
CREATED DATE: 7/15/2017	REVISION LEVEL: B
SAVED DATE: 6/1/2020	SAVED BY: mmlinar
WEIGHT: 397 LBS.	MATERIAL: CONCRETE



1010 NORTH STAR DRIVE
 P.O. BOX 69
 ZUMBROTA, MN 55992-0069

DESCRIPTION:		SHEET 1 OF 1
HEAVY TRAFFIC CHANNEL - 22.5 ANGLE		
DIMENSIONS ARE IN INCHES	CONTACT INFORMATION:	
TOLERANCES:	EMAIL: INFO@CONCASTINC.COM	
FRACTIONAL: ± 1/8"	PHONE: (507) 732-4095	
ANGULAR: ± 2°	FAX: (507) 732-4094	
PART NUMBER:		
HT0608 22.5L		