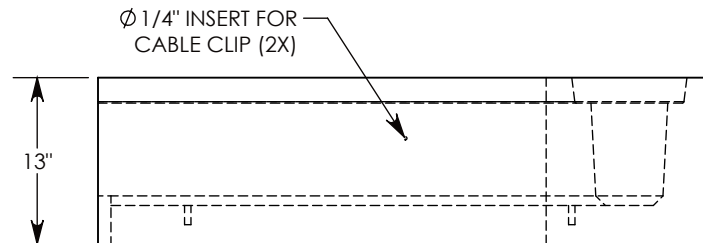
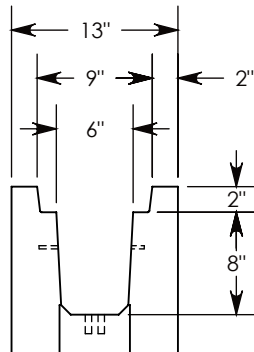
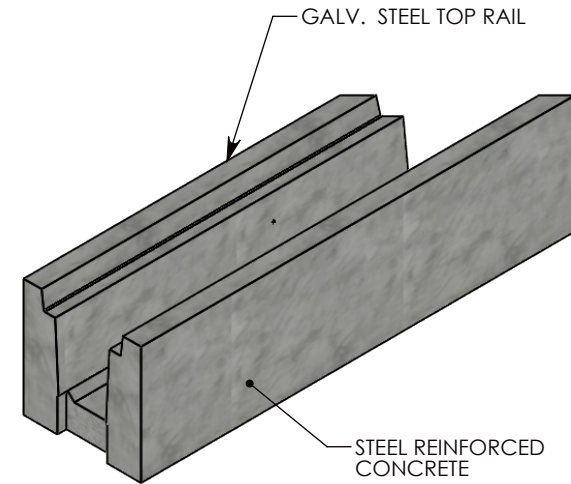
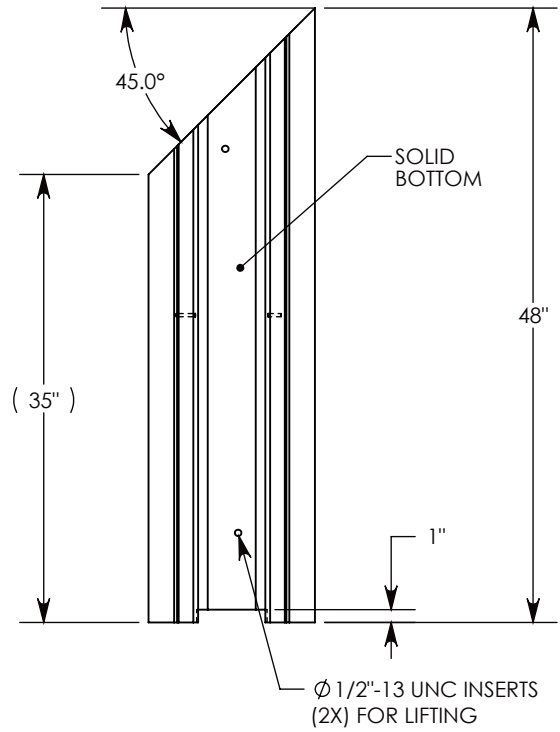


REVISION B - RLF - 6/7/16 - 1" INTERLOCK RELIEF WAS A 7/8" PROTRUSION.



NOTE 1: MM#300302858

AASHTO H-40 RATED - 64,000 LB. SINGLE AXLE LOAD  
MINIMUM ALLOWABLE SOIL BEARING PRESSURE - X,XXX PSF

<b>DRAWN BY:</b> ROBIN FLINT	
<b>CREATED DATE:</b> 7/15/2017	<b>REVISION LEVEL:</b> B
<b>SAVED DATE:</b> 5/29/2020	<b>SAVED BY:</b> mmlinar
<b>WEIGHT:</b> 363 LBS.	<b>MATERIAL:</b> CONCRETE



1010 NORTH STAR DRIVE  
P.O. BOX 69  
ZUMBROTA, MN 55992-0069

<b>DESCRIPTION:</b> <b>HEAVY TRAFFIC CHANNEL - 45 ANGLE</b>		SHEET 1 OF 1
DIMENSIONS ARE IN INCHES TOLERANCES: FRACTIONAL: ± 1/8" ANGULAR: ± 2°	CONTACT INFORMATION: EMAIL: INFO@CONCASTINC.COM PHONE: (507) 732-4095 FAX: (507) 732-4094	
<b>PART NUMBER:</b> HT0608 45L		