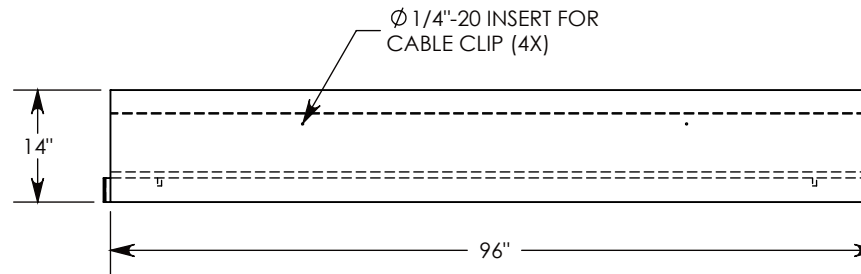
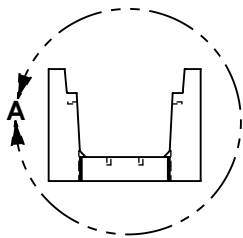
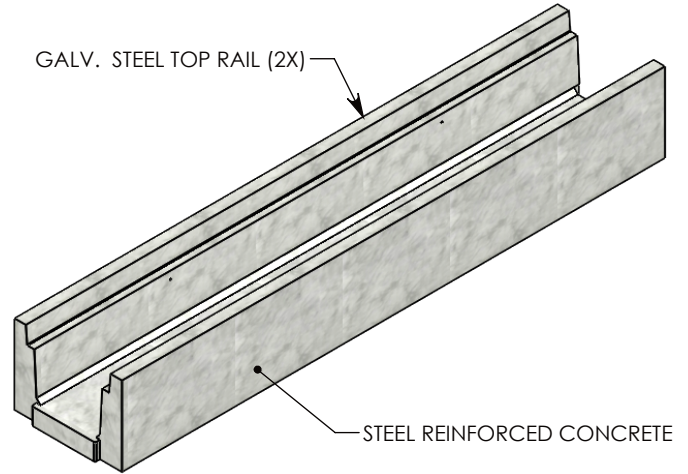
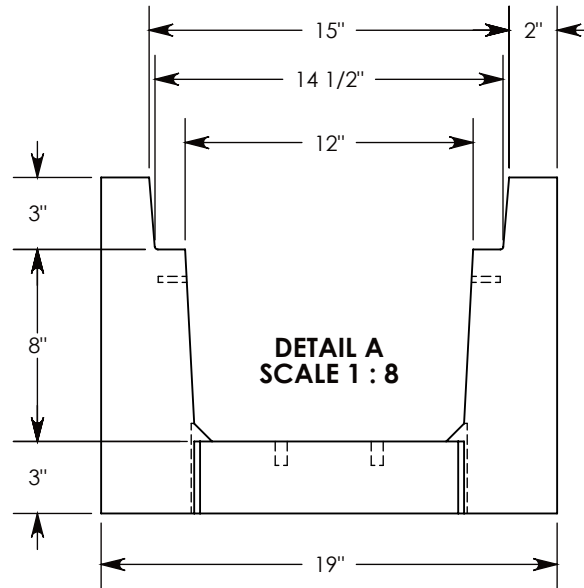
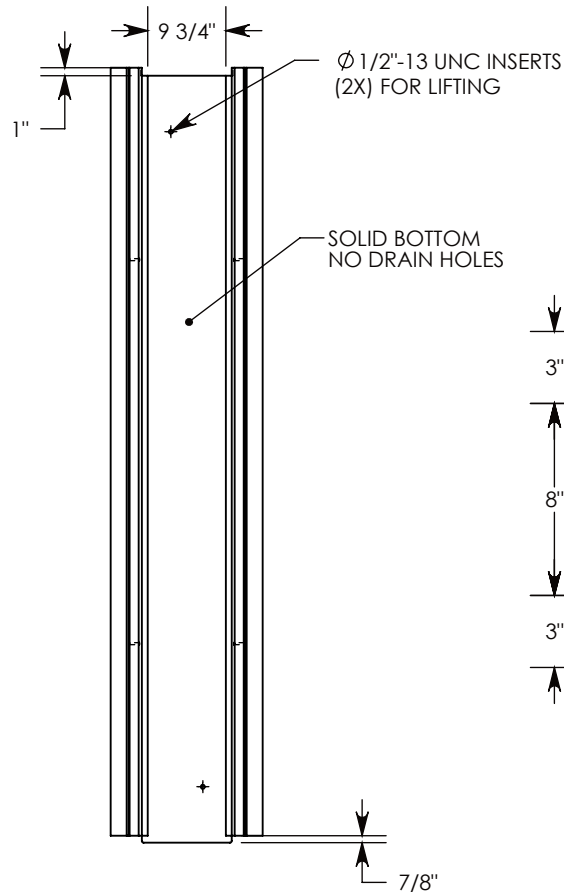


FIBERCRETE[®]
TRENCH
SYSTEM



NOTE 1: FOR NON-STANDARD LENGTHS THE CHANNEL WILL BE SOLID BOTTOM AND DESIGNATED WITH ITS CORRESPONDING LENGTH MEASUREMENT. IE: HT1208 32"

MAX H-40 RATED - 64,000 LB. PER AXLE LOAD.
 DEPENDENT ON TRENCH COVER RATING

| | |
|------------------------------|---------------------------|
| DRAWN BY: ROBIN FLINT | |
| DATE: 7/15/2017 | REVISION LEVEL: 0 |
| WEIGHT: 1018 LBS. | MATERIAL: CONCRETE |



CONCAST
 1010 NORTH STAR DRIVE
 P.O. BOX 69
 ZUMBROTA, MN 55992-0069

| | | |
|--|--|--------------|
| DESCRIPTION: HEAVY TRAFFIC CHANNEL - SOLID BOTTOM | | |
| DIMENSIONS ARE IN INCHES TOLERANCES: FRACTIONAL: ± 1/8" ANGULAR: ± 2° | CONTACT INFORMATION: EMAIL: INFO@CONCASTINC.COM PHONE: (507) 732-4095 FAX: (507) 732-4094 | SHEET 1 OF 1 |
| PART NUMBER: HT1208SB | | |