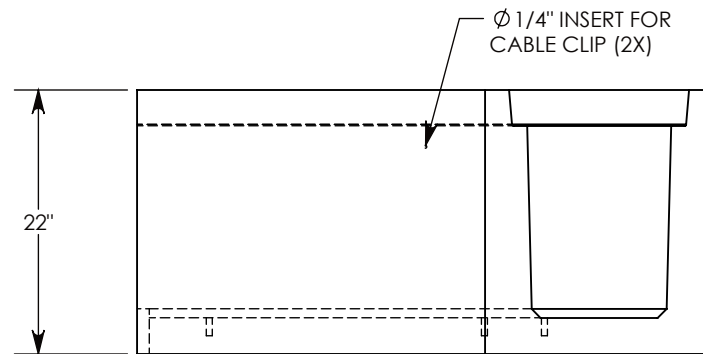
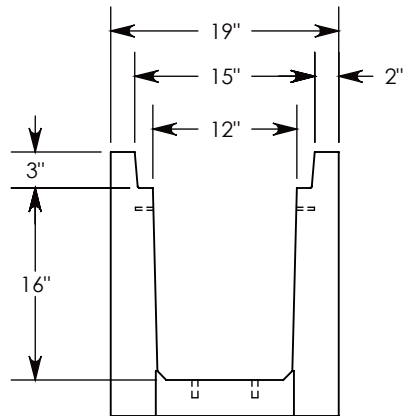
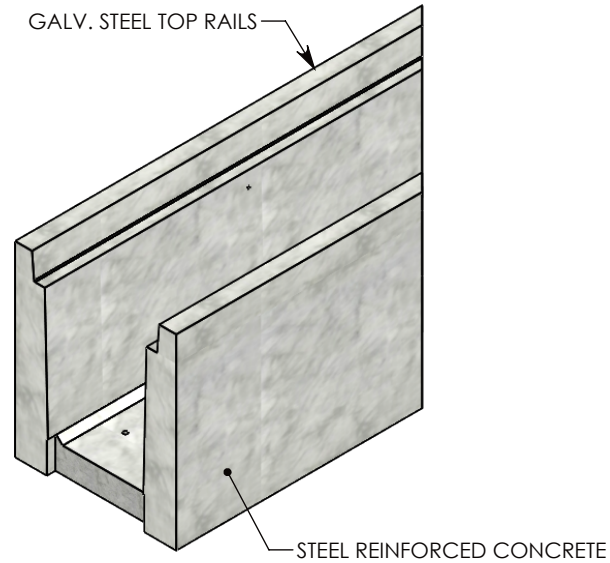
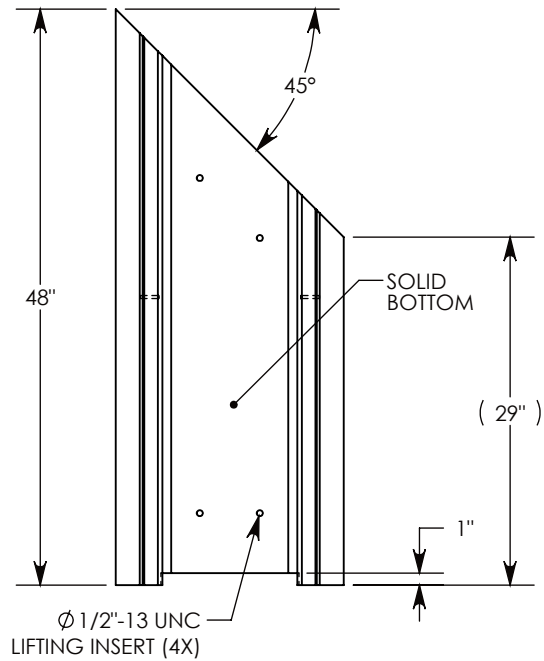


REV. A - RLF - 6/7/2016 - 1" INTERLOCK RELIEF WAS A 7/8" PROTRUSION.

REV. B - SIC - 10/9/2019 - 1/2"-13 UNC LIFTING INSERTS QTY: 4, WAS QTY: 2; REMOVED NOTE 1; ADDED CABLE CLIP NOTATION



AASHTO H-20 RATED - 32,000 LB. SINGLE AXLE LOAD

DRAWN BY: ROBIN FLINT

CREATED DATE: 7/28/2015

REVISION LEVEL: B

SAVED DATE: 10/9/2019

SAVED BY: scallahan

WEIGHT:

592 LBS.

MATERIAL:

CONCRETE



1010 NORTH STAR DRIVE
P.O. BOX 69
ZUMBROTA, MN 55992-0069

DESCRIPTION:

HEAVY TRAFFIC CHANNEL - 45 ANGLE

DIMENSIONS ARE IN INCHES

TOLERANCES:
FRACTIONAL: ± 1/8"
ANGULAR: ± 2°

CONTACT INFORMATION:

EMAIL: INFO@CONCASTINC.COM
PHONE: (507) 732-4095
FAX: (507) 732-4094

SHEET 1 OF 1

PART NUMBER:

HT1216 45R