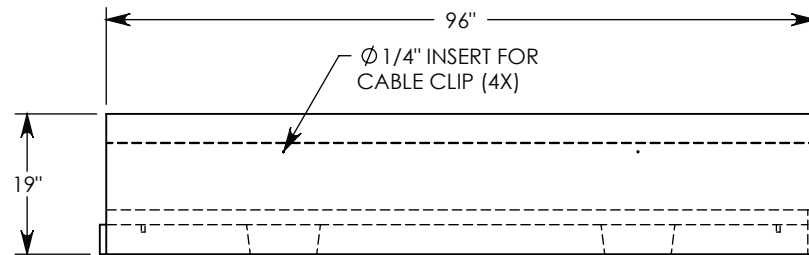
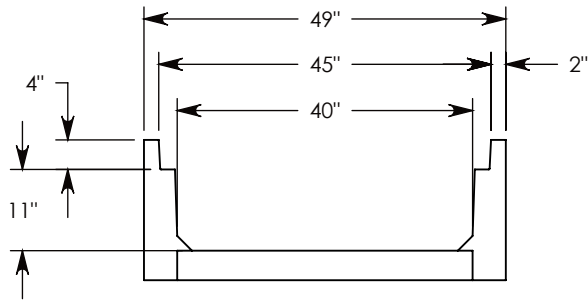
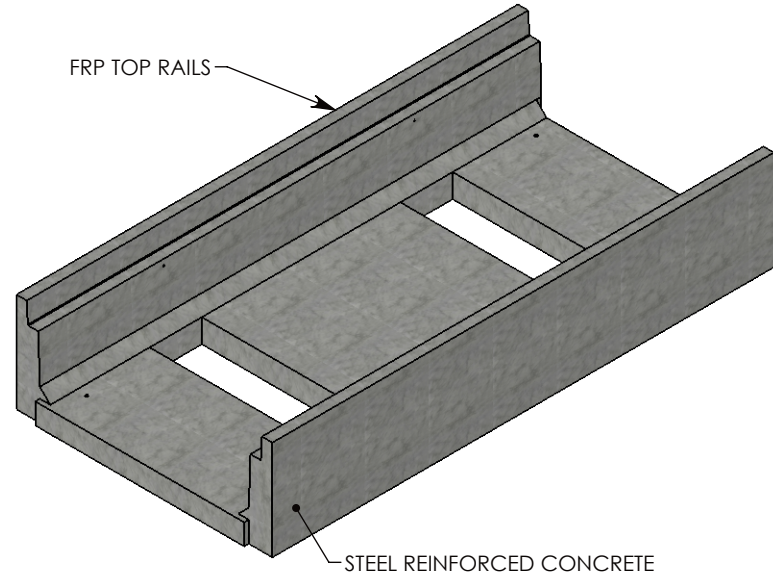
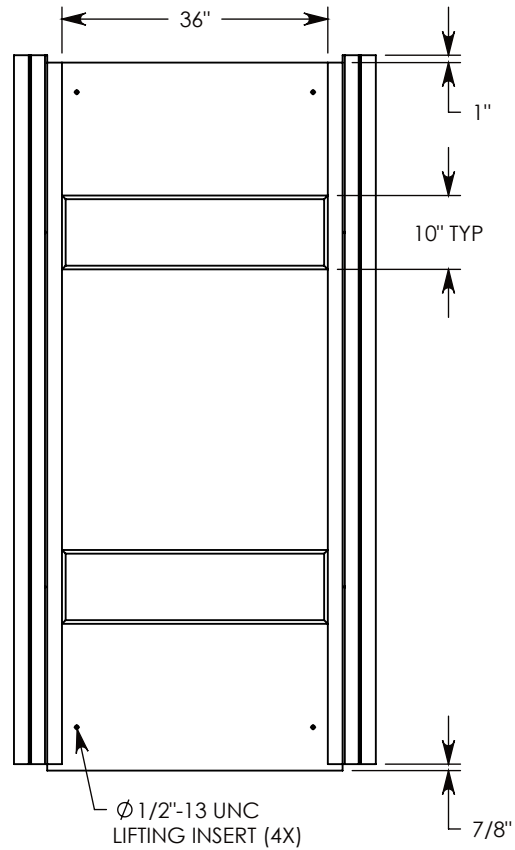


REV. A - SIC - 2/3/2020 - UPDATED PART NUMBER

REV. B - SIC - 7/17/2020 - UPDATED WEIGHT RATING NOTE; ADDED SOIL BEARING PRESSURES; 1/4" CABLE CLIP QTY: 4, WAS QTY: 2



**NOTE 1:** FOR NON-STANDARD LENGTHS, THE CHANNEL WILL BE SOLID BOTTOM AND DESIGNATED WITH ITS CORRESPONDING LENGTH MEASUREMENT. IE: 8040HT3 72"

MAX AASHTO H-40 RATED - 64,000 LB. SINGLE AXLE LOAD  
DEPENDENT ON TRENCH COVER RATING  
MINIMUM ALLOWABLE SOIL BEARING PRESSURE - H-40: 3,000 PSF; H-20: 3,000 PSF

DRAWN BY: <b>ROBIN FLINT</b>	
CREATED DATE: <b>3/21/2011</b>	REVISION LEVEL: <b>B</b>
SAVED DATE: <b>7/17/2020</b>	SAVED BY: <b>scallahan</b>
WEIGHT: <b>2239 LBS.</b>	MATERIAL: <b>CONCRETE</b>



1010 NORTH STAR DRIVE  
P.O. BOX 69  
ZUMBROTA, MN 55992-0069

DESCRIPTION: <b>HEAVY TRAFFIC CHANNEL</b>		SHEET 1 OF 1
DIMENSIONS ARE IN INCHES TOLERANCES: FRACTIONAL: ± 1/8" ANGULAR: ± 2°	CONTACT INFORMATION: EMAIL: <a href="mailto:INFO@CONCASTINC.COM">INFO@CONCASTINC.COM</a> PHONE: (507) 732-4095 FAX: (507) 732-4094	
PART NUMBER: <b>HT4F4012</b>		