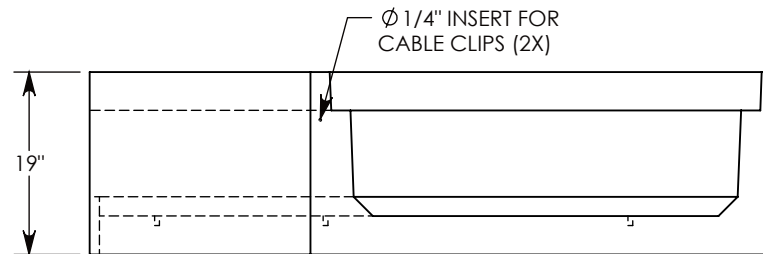
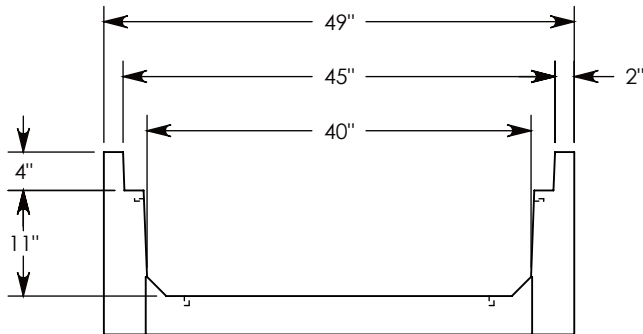
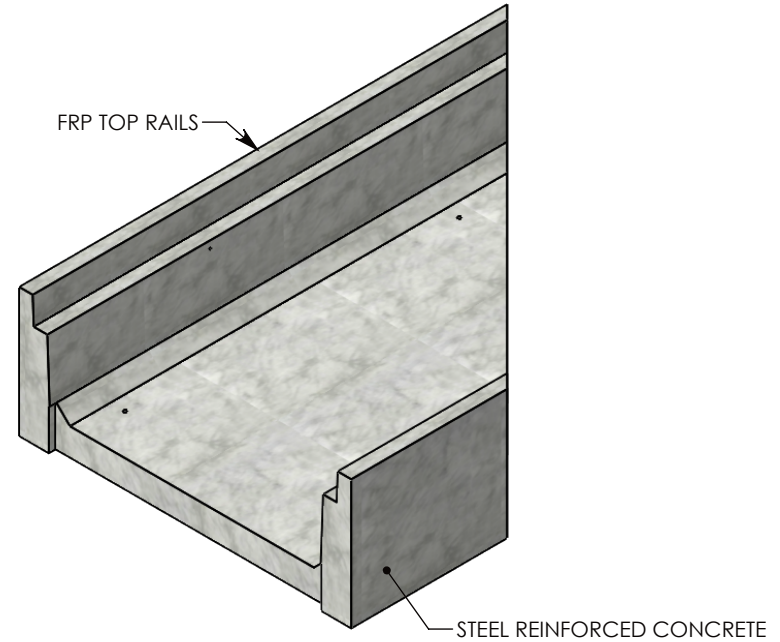
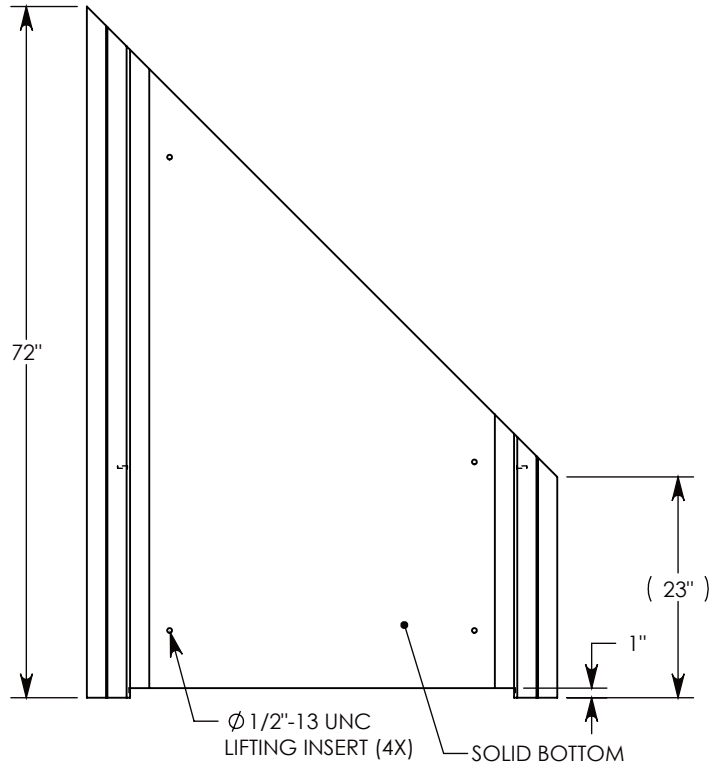


REV. A - SIC - 2/3/2020 - UPDATED ISOMETRIC VIEW  
 REV. B - SIC - 2/3/2020 - UPDATED WEIGHT RATING NOTE; ADDED SOIL BVEARING PRESSURES



AASHTO H-20 RATED - 32,000 LB. SINGLE AXLE LOAD  
 MINIMUM ALLOWABLE SOIL BEARING PRESSURE - 3,000 PSF

**DRAWN BY: SAMUEL CALLAHAN**

**CREATED DATE: 8/19/2019** | **REVISION LEVEL: B**

**SAVED DATE: 7/17/2020** | **SAVED BY: scallahan**

**WEIGHT: 1202 LBS.** | **MATERIAL: CONCRETE**

**CONCAST**  
 1010 NORTH STAR DRIVE  
 P.O. BOX 69  
 ZUMBROTA, MN 55992-0069

**DESCRIPTION:**  
**HT CHANNEL; 45 DEG. ANGLE**

DIMENSIONS ARE IN INCHES  
 TOLERANCES:  
 FRACTIONAL: ± 1/8"  
 ANGULAR: ± 2°

CONTACT INFORMATION:  
 EMAIL: INFO@CONCASTINC.COM  
 PHONE: (507) 732-4095  
 FAX: (507) 732-4094

SHEET 1 OF 1

**PART NUMBER:**  
**HT4F4012 45R**