

3/8-16 UNC X 2.50" LG HEX HD BOLT, GRADE 8 (4X)  
 P/N: HHB.38-2.5G8

3/8" STD WASHER - 1" OD (4X)  
 P/N: WSR.38-1

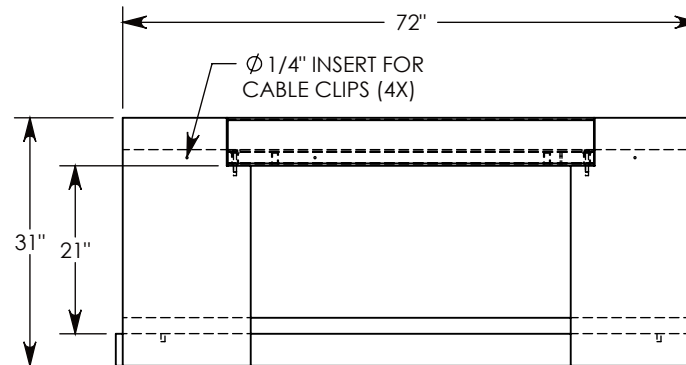
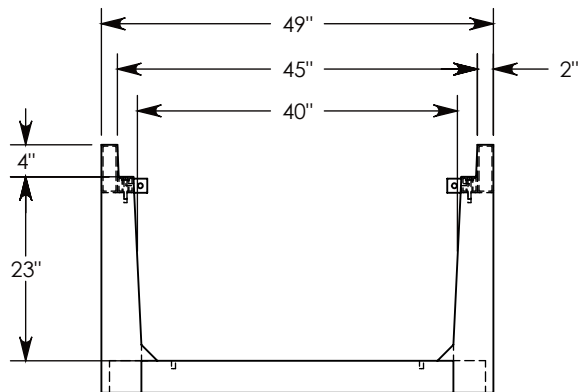
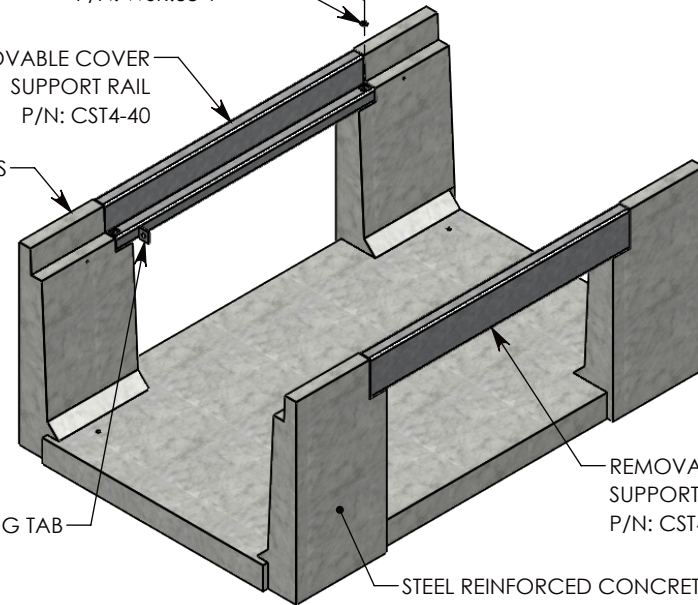
REMOVABLE COVER  
 SUPPORT RAIL  
 P/N: CST4-40

FRP TOP RAILS

GROUNDING TAB

REMOVABLE COVER  
 SUPPORT RAIL  
 P/N: CST4-40

STEEL REINFORCED CONCRETE



AASHTO H-20 RATED - 32,000 LB. SINGLE AXLE LOAD

**DRAWN BY:** SAMUEL CALLAHAN

**DATE:** 8/27/2019

**REVISION LEVEL:** 0

**WEIGHT:**

1821 LBS.

**MATERIAL:**

NOTED


**CONCAST**  
 1010 NORTH STAR DRIVE  
 P.O. BOX 69  
 ZUMBROTA, MN 55992-0069

**DESCRIPTION:**

**HEAVY TRAFFIC UNIVERSAL CHANNEL**

DIMENSIONS ARE IN INCHES

TOLERANCES:  
 FRACTIONAL:  $\pm 1/8$ "  
 ANGULAR:  $\pm 2^\circ$

CONTACT INFORMATION:  
 EMAIL: INFO@CONCASTINC.COM  
 PHONE: (507) 732-4095  
 FAX: (507) 732-4094

SHEET 1 OF 1

**PART NUMBER:**

**HT4FU4024 (40X40)**