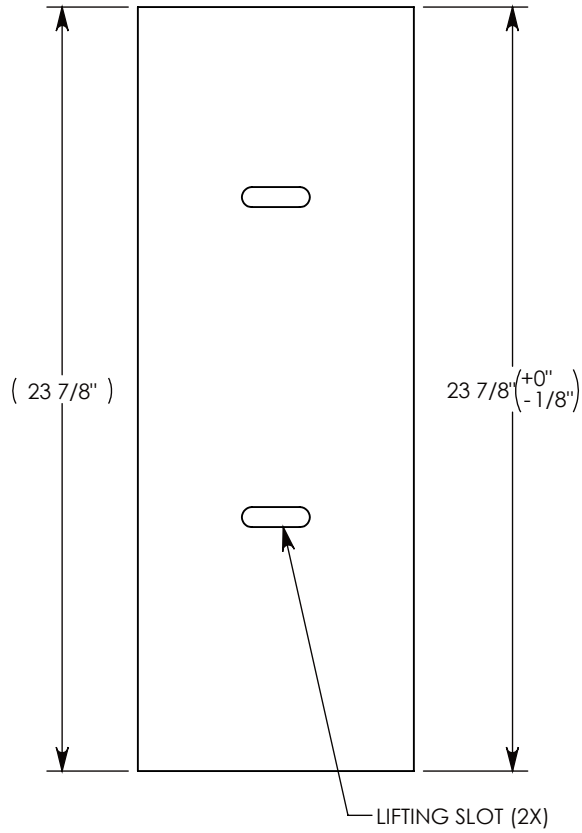
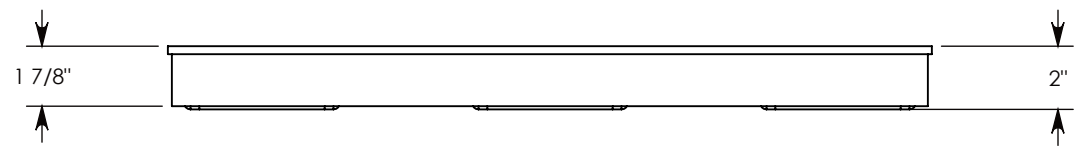
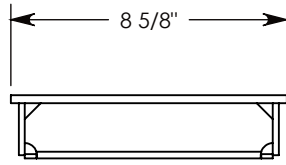
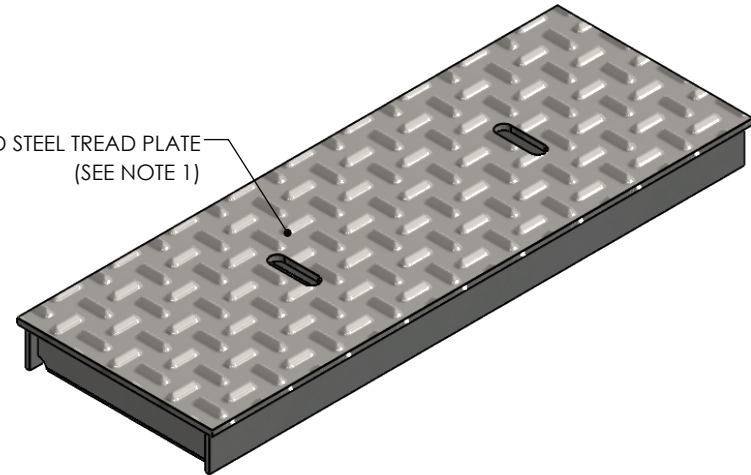


COVER ASSEMBLES ONTO 6" INSIDE WIDTH
HEAVY TRAFFIC RATED CONCAST CHANNEL



GALVANIZED STEEL TREAD PLATE
(SEE NOTE 1)



NOTE 1: TREAD ON DIAMOND PLATE ADDS 1/8" TO THE OVERALL HEIGHT

AASHTO H-40 RATED - 64,000 LB. SINGLE AXLE LOAD

| | |
|----------------------------------|-------------------------------------|
| DRAWN BY: SAMUEL CALLAHAN | |
| CREATED DATE: 3/30/2020 | REVISION LEVEL: 0 |
| SAVED DATE: 3/30/2020 | SAVED BY: scallahan |
| WEIGHT: 27 LBS. | MATERIAL: WELDED GALV. STEEL |



CONCAST
1010 NORTH STAR DRIVE
P.O. BOX 69
ZUMBROTA, MN 55992-0069

| | |
|--|--|
| DESCRIPTION: HEAVY TRAFFIC GALV. STEEL COVER | |
| DIMENSIONS ARE IN INCHES TOLERANCES: FRACTIONAL: ± 1/8" ANGULAR: ± 2° | CONTACT INFORMATION: EMAIL: INFO@CONCASTINC.COM PHONE: (507) 732-4095 FAX: (507) 732-4094 |
| PART NUMBER: HTCSG06 24" | |
| SHEET 1 OF 2 | |