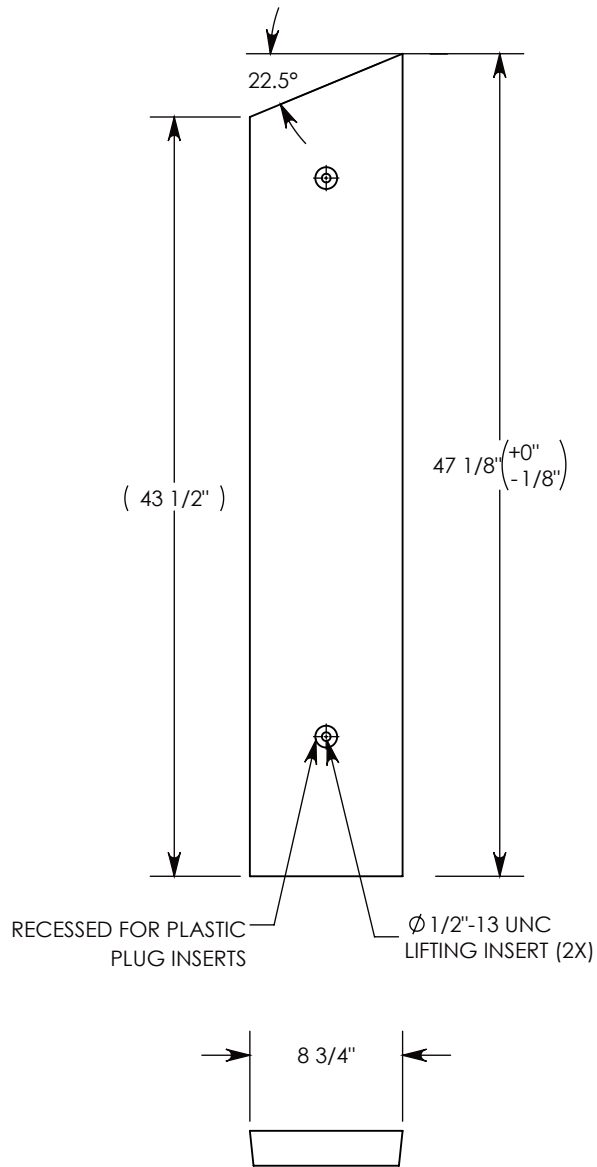
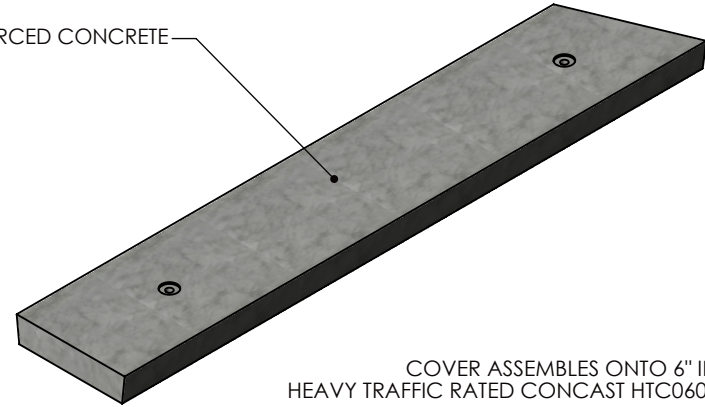


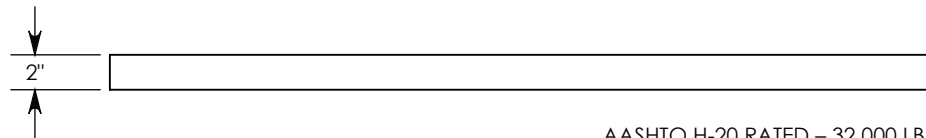
**FIBERCRETE<sup>®</sup>**  
**TRENCH**  
**SYSTEM**



STEEL REINFORCED CONCRETE



COVER ASSEMBLES ONTO 6" INSIDE WIDTH HEAVY TRAFFIC RATED CONCAST HTC0608 CHANNEL.



AASHTO H-20 RATED – 32,000 LB. SINGLE AXLE LOAD

**DRAWN BY: ROBIN FLINT**

**DATE: 5/17/2019**

**REVISION LEVEL: A**

**WEIGHT:**

**63 LBS.**

**MATERIAL:**

**CONCRETE**



1010 NORTH STAR DRIVE  
 P.O. BOX 69  
 ZUMBROTA, MN 55992-0069

**DESCRIPTION:**

**HEAVY TRAFFIC COVER - 22.5 DEG. ANGLE**

DIMENSIONS ARE IN INCHES  
 TOLERANCES:  
 FRACTIONAL: ± 1/8"  
 ANGULAR: ± 2°

CONTACT INFORMATION:  
 EMAIL: INFO@CONCASTINC.COM  
 PHONE: (507) 732-4095  
 FAX: (507) 732-4094

SHEET 1 OF 1

**PART NUMBER:**

**HTC06 22.5L**