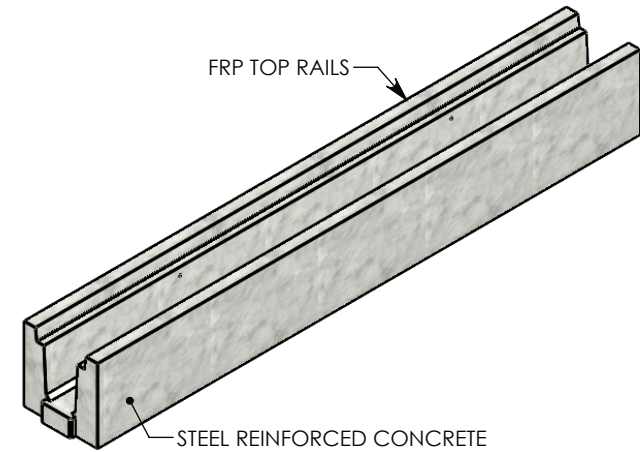
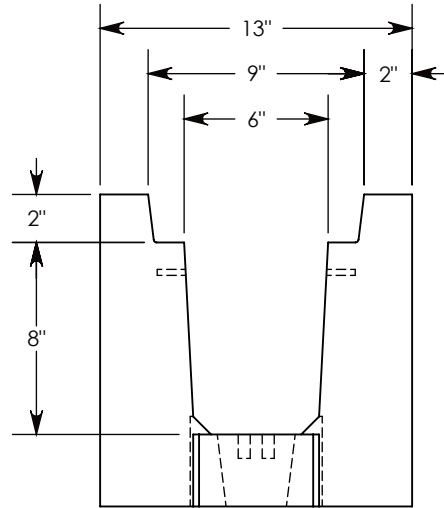
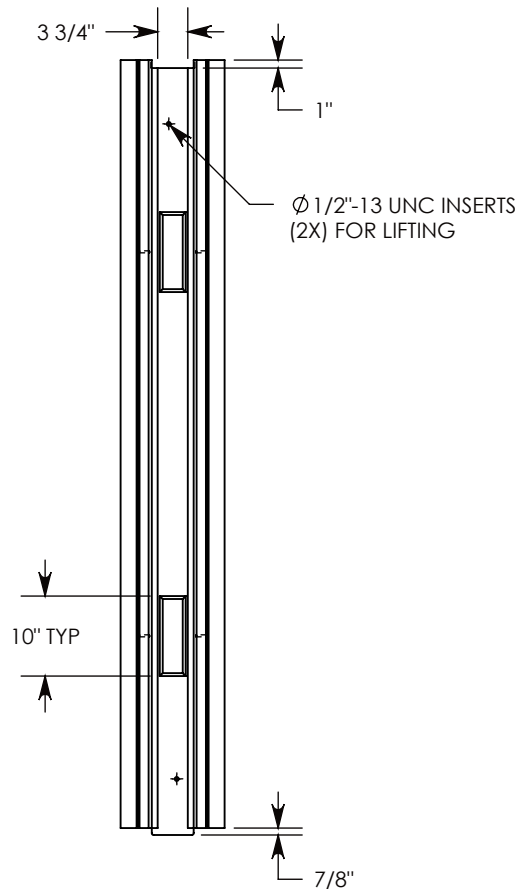
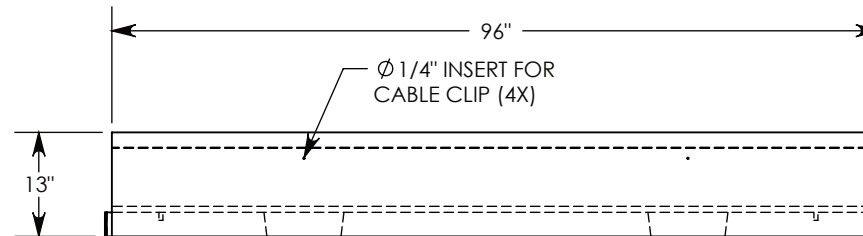
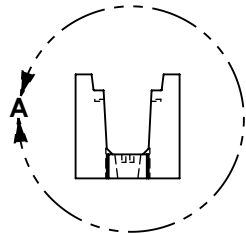


REV. A - RAL - 12/1/2017 - UPDATED TOP RAIL NOTE  
 REV. B - SIC - 3/27/2020 - UPDATED WEIGHT RATING TO H-40, WAS H-20; UPDATED ANNOTATIONS; REMOVED FIBERCRETE NOTE



DETAIL A  
 SCALE 1 : 8



NOTE 1: ALL NON-STANDARD LENGTHS OF CHANNEL WILL BE SOLID BOTTOM AND DESIGNATED WITH ITS CORRESPONDING LENGTH MEASUREMENT. IE: HTF0608 32"

AASHTO H-40 RATED – 64,000 LB. SINGLE AXLE LOAD  
 MINIMUM ALLOWABLE SOIL BEARING PRESSURE – 5,500 PSF

<b>DRAWN BY:</b> ROBIN FLINT	
<b>CREATED DATE:</b> 7/28/2015	<b>REVISION LEVEL:</b> B
<b>SAVED DATE:</b> 3/27/2020	<b>SAVED BY:</b> scallahan
<b>WEIGHT:</b> 830 LBS.	<b>MATERIAL:</b> CONCRETE

1010 NORTH STAR DRIVE  
 P.O. BOX 69  
 ZUMBROTA, MN 55992-0069

<b>DESCRIPTION:</b> HEAVY TRAFFIC CHANNEL		SHEET 1 OF 1
DIMENSIONS ARE IN INCHES TOLERANCES: FRACTIONAL: ± 1/8" ANGULAR: ± 2°	CONTACT INFORMATION: EMAIL: INFO@CONCASTINC.COM PHONE: (507) 732-4095 FAX: (507) 732-4094	
<b>PART NUMBER:</b> HTF0608		