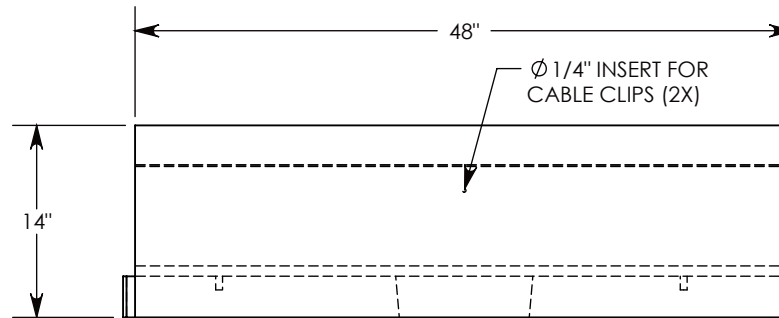
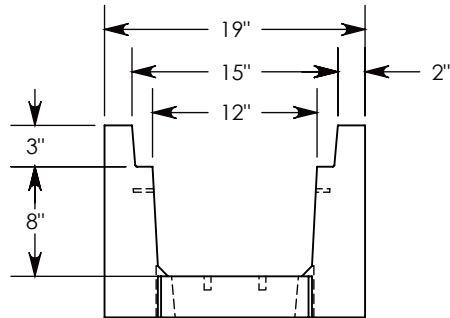
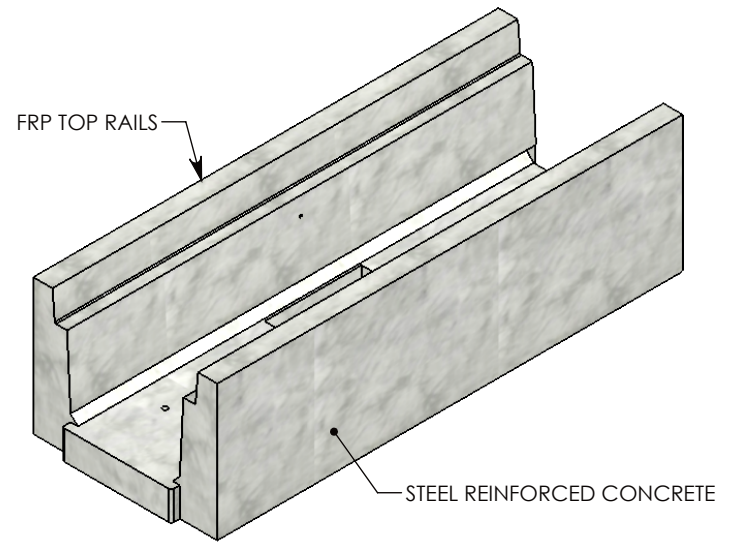
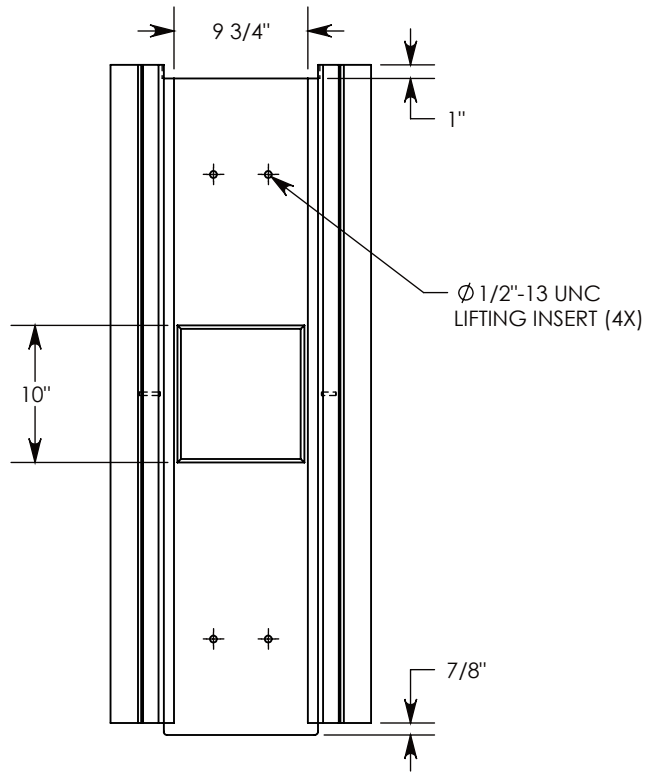


REV. A - SIC - 8/14/2019 - UPDATED ANNOTATIONS AND DIMENSIONS
 REV. B - JCG - 12/17/2020 - UPDATED RATING NOTE



NOTE 1: FOR NON-STANDARD LENGTHS, THE CHANNEL WILL BE SOLID BOTTOM AND DESIGNATED WITH ITS CORRESPONDING LENGTH MEASUREMENT. IE: HTF1208 32"

MAX AASHTO H-40 RATED - 64,000 LB. SINGLE AXLE LOAD
 DEPENDENT ON TRENCH COVER RATING

DRAWN BY: ROBIN FLINT	
CREATED DATE: 7/28/2015	REVISION LEVEL: B
SAVED DATE: 12/17/2020	SAVED BY: jgutting
WEIGHT: 487 LBS.	MATERIAL: CONCRETE



CONCAST
 1010 NORTH STAR DRIVE
 P.O. BOX 69
 ZUMBROTA, MN 55992-0069

DESCRIPTION: HEAVY TRAFFIC CHANNEL		SHEET 1 OF 1
DIMENSIONS ARE IN INCHES TOLERANCES: FRACTIONAL: ± 1/8" ANGULAR: ± 2°	CONTACT INFORMATION: EMAIL: INFO@CONCASTINC.COM PHONE: (507) 732-4095 FAX: (507) 732-4094	
PART NUMBER: HTF1208 48"		