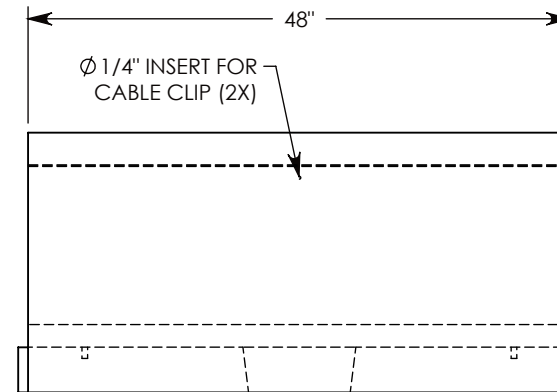
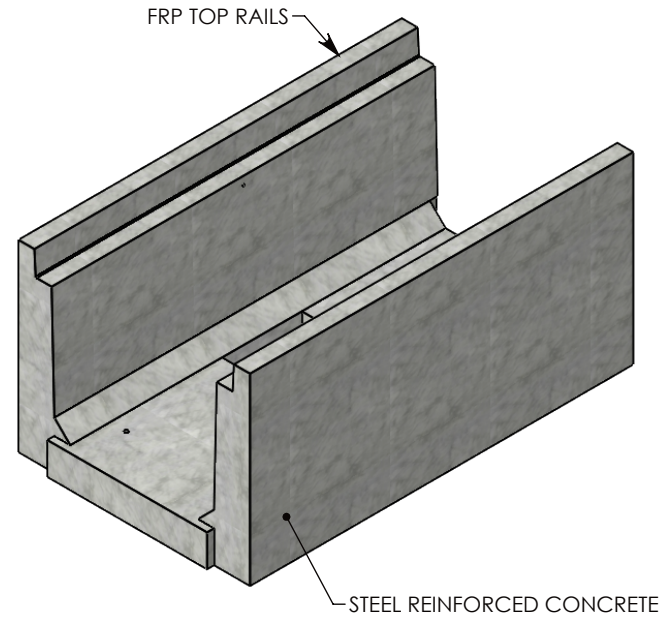
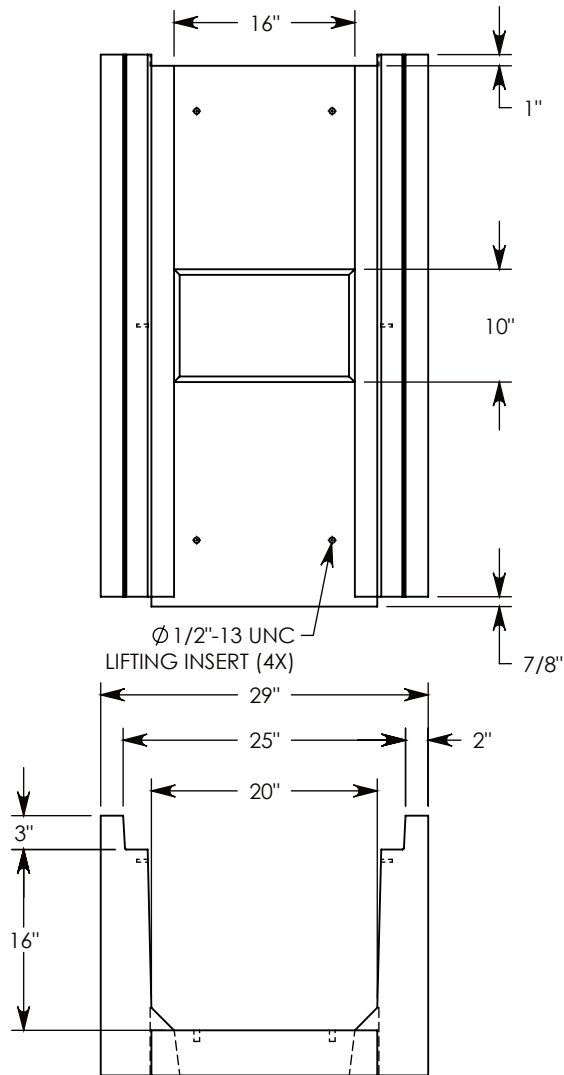


REV. B - JCG - 8/23/2018 - UPDATED NOTES
 REV. C - JCG - 3/19/2019 - ADDED OPENING DIMS
 REV. D - SIC - 10/21/2019 - CHANGED WEIGHT RATING TO MAX H-40, WAS H-20;
 REV. E - SIC - 7/13/2020 - UPDATED DIMENSIONS; UPDATED WEIGHT RATING NOTE; ADDED SOIL BEARING PRESSURES



NOTE 1: FOR NON-STANDARD LENGTHS THE CHANNEL WILL BE SOLID BOTTOM AND DESIGNATED WITH ITS CORRESPONDING LENGTH MEASUREMENT. IE: HTF2016 32"

MAX AASHTO H-40 RATED - 64,000 LB. SINGLE AXLE LOAD
 DEPENDENT ON TRENCH COVER RATING

MINIMUM ALLOWABLE SOIL BEARING PRESSURE - H-40: 4,000 PSF; H-20: 3,000 PSF

DRAWN BY: ROBIN FLINT	
CREATED DATE: 3/21/2011	REVISION LEVEL: E
SAVED DATE: 7/13/2020	SAVED BY: scallahan
WEIGHT: 1019 LBS.	MATERIAL: CONCRETE

CONCAST
 1010 NORTH STAR DRIVE
 P.O. BOX 69
 ZUMBROTA, MN 55992-0069

DESCRIPTION: HEAVY TRAFFIC CHANNEL		SHEET 1 OF 1
DIMENSIONS ARE IN INCHES TOLERANCES: FRACTIONAL: ± 1/8" ANGULAR: ± 2°	CONTACT INFORMATION: EMAIL: INFO@CONCASTINC.COM PHONE: (507) 732-4095 FAX: (507) 732-4094	
PART NUMBER: HTF2016 48"		