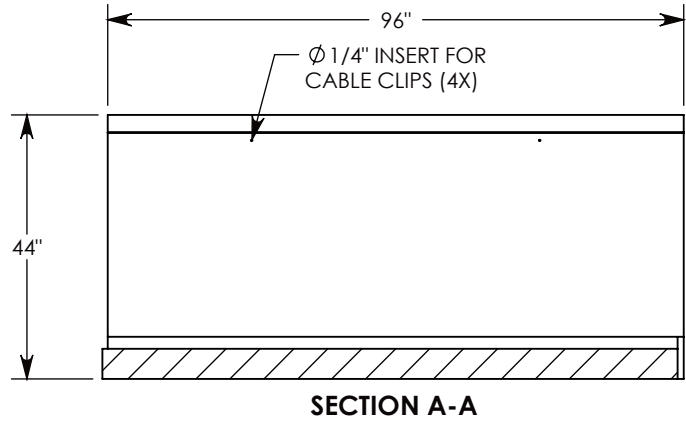
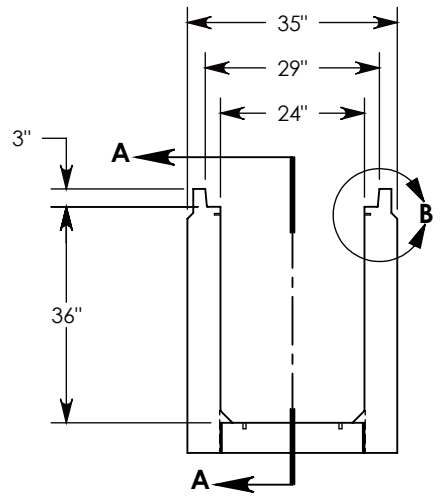
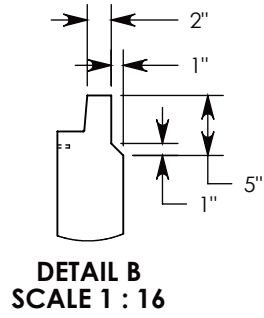
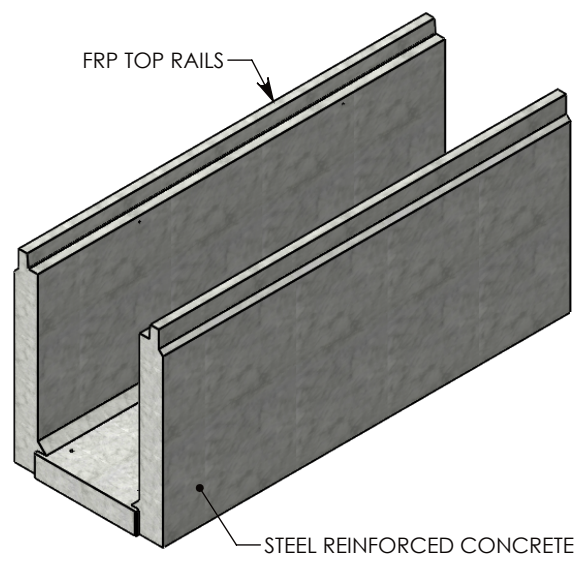
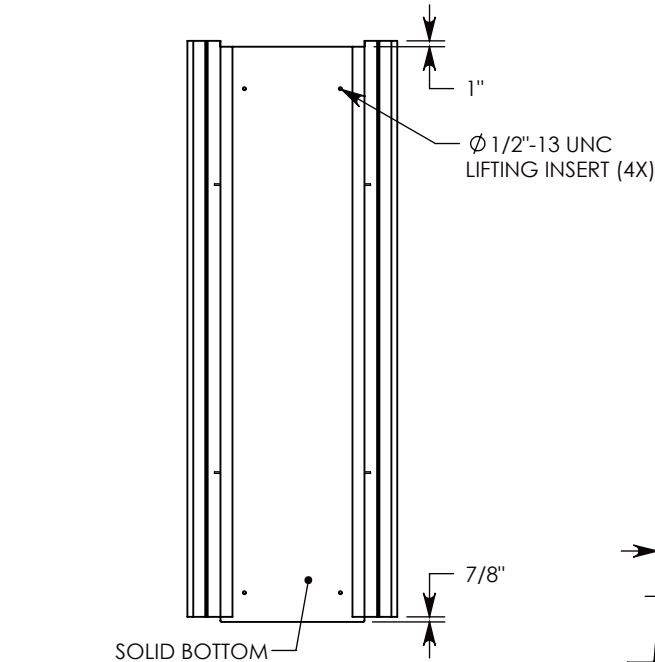


REV. A - SIC - 10/8/2020 - ADDED TOP RAIL REDUCTION FEATURE TO CHANGE TOP RAIL TO 2", WAS 3"; REPLACED RIGHT VIEW WITH SECTION A-A; ADDED DETAIL B



NOTE 1: FOR NON-STANDARD LENGTHS THE CHANNEL WILL BE SOLID BOTTOM AND DESIGNATED WITH ITS CORRESPONDING LENGTH MEASUREMENT. IE: HTF2436 36"

AASHTO H-20 RATED – 32,000 LB. SINGLE AXLE LOAD

DRAWN BY: SAMUEL CALLAHAN	
CREATED DATE: 8/14/2019	REVISION LEVEL: A
SAVED DATE: 10/8/2020	SAVED BY: scallahan
WEIGHT: 4596 LBS.	MATERIAL: CONCRETE



1010 NORTH STAR DRIVE
P.O. BOX 69
ZUMBROTA, MN 55992-0069

DESCRIPTION: HEAVY TRAFFIC CHANNEL		SHEET 1 OF 1
<small>DIMENSIONS ARE IN INCHES</small>	<small>CONTACT INFORMATION:</small>	
<small>TOLERANCES: FRACTIONAL: ± 1/8" ANGULAR: ± 2°</small>	<small>EMAIL: INFO@CONCASTINC.COM PHONE: (507) 732-4095 FAX: (507) 732-4094</small>	
PART NUMBER: HTF2436SB		